



Installation Instructions

Uno Bath

(tc)

traditional contemporary
bathrooms

Caution

- Take care when handling and avoid knocks or damage.
- Ensure bath is adequately protected if you need to stand in it.
- Do not place burning cigarettes in or on the bath.
- Do not allow paint strippers, spirits, dry cleaning agents, cleansers or bleaches to come into contact with the surface.
- If a blowlamp is used when plumbing, the flame must be kept well away from the fixture.
- Use a silicone sealant to ensure a watertight joint between bath rim and wall.
- When making joints to the waste fitting use only the washers provided and an approved sealing compound. DO NOT use boss white, linseed oil putty or similar oil based compounds. Avoid excessive force when tightening plastic nuts.

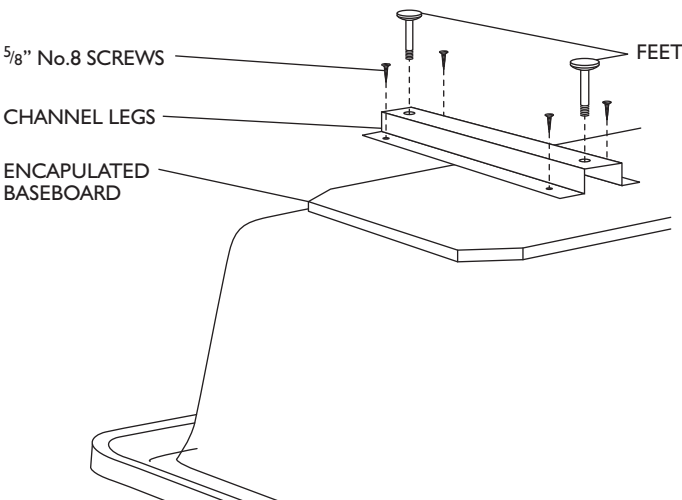
Your leg set will contain the following items:

Tubular Legs	x2
M8 Adjustable Feet	x4
M8 Nuts to suit Feet	x8
No.6 x 15mm Pozdrive Screws	x8
Black Leg Sockets	x4
No.6 x 15mm Round Head Screws	x4

Installation Instructions

Every care has been taken to ensure your bath arrives in perfect condition. Before installation, please remove protective packaging from the bath and inspect. tc bathrooms will not accept responsibility for the installation of faulty or damaged baths. We recommend the bath be recovered for protection during installation.

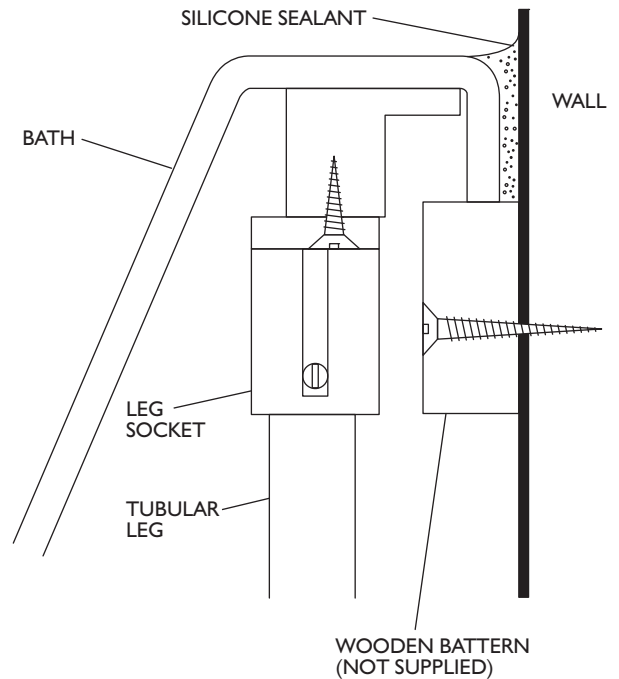
- We strongly recommend that for protection the packaging is not removed until the legs have been fitted.
- Remove the tubular legs from the timber frame and retain the 4 x M8 30mm screws.



- Position the 4 leg sockets on the frame using the N6 15mm Pozdrive screws offer up the tubular legs securing them to the baseboard using the M8 30mm screws. Use the N6 15mm Round head screws to secure the leg to the socket.
- Fit the adjustable feet to the tubular legs and adjust all 4 feet to the approximate bath height.

Installation Instructions

- Turn bath onto support cradle and remove protective cover.
- Position and level the bath, ensuring the correct height from the trimmed edge depending on the panel being used.
- Mark the feet position and screw holes on the floor.
- Scribe a line on the wall to the underside of the rim.
- Remove the bath and the softwood batten to this line to act as additional support to the rim.
- Apply a liberal amount of silicone sealant to the outer rim of the bath which will be adjacent to the wall. Reposition the bath ensuring that it is pushed firmly back to the wall and that the feet are back in their original position
- Leave the bath until the silicone has completely cured, then complete the installation ensuring all fixings are secure.



Care Instructions

Your bath has been manufactured to the highest standards. To maintain the high luster a non abrasive cleaner must be used. If during installation or when in use any damage does occur, light scratches may be removed with a metal polish. If major difficulties are experienced please contact the showroom from where the bath was purchased.