



## **Installation Instructions**

### Trinity Steam Cabinet

# Installation Instructions Trinity Steam Cabinet

---

## Product and Installation

Please read these instructions fully before installation

(TC) Products should be installed by a competent qualified Bathroom Installer/Plumber and a Part P registered electrician only. Failure to do so may result in damage to the product, and may result in the invalidation of any warranty or guarantee.

(TC) Products should always be fully inspected and examined at the earliest possible opportunity after purchase. Damage/defects should be reported prior to installation. Failure to do so will be seen as acceptance of quality.

This unit is designed to be free-standing and should not be built-in. This allows for quick access to services and easier fitting. Reasonable access must be available for servicing purposes.

It is recommended that the unit is built up a few feet away from its intended location, so as to be able to access the rear of the unit during its construction.

Prior to fitting it is recommended that both the walls and floor behind and below the unit are tiled.

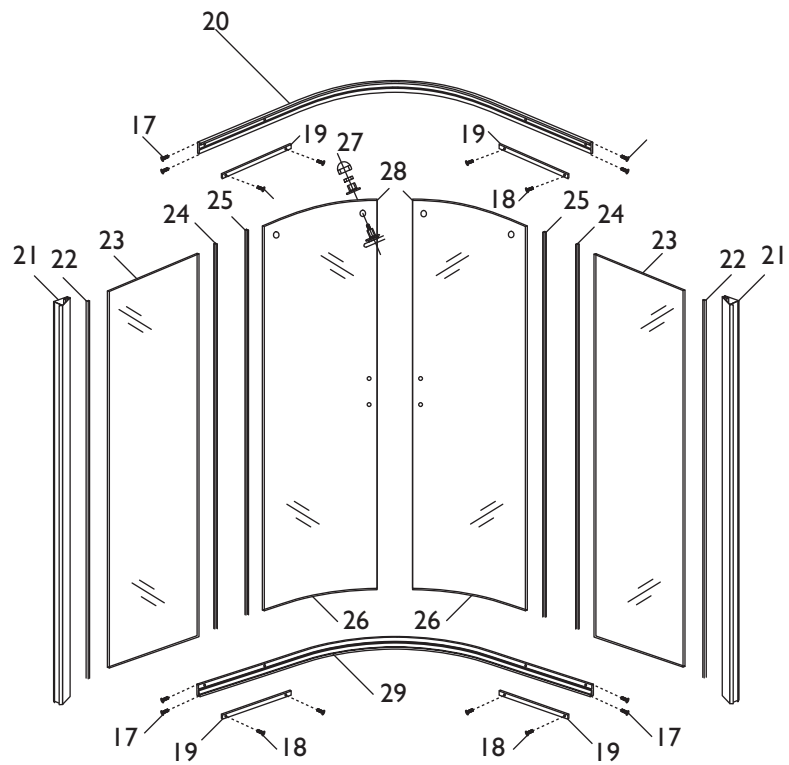
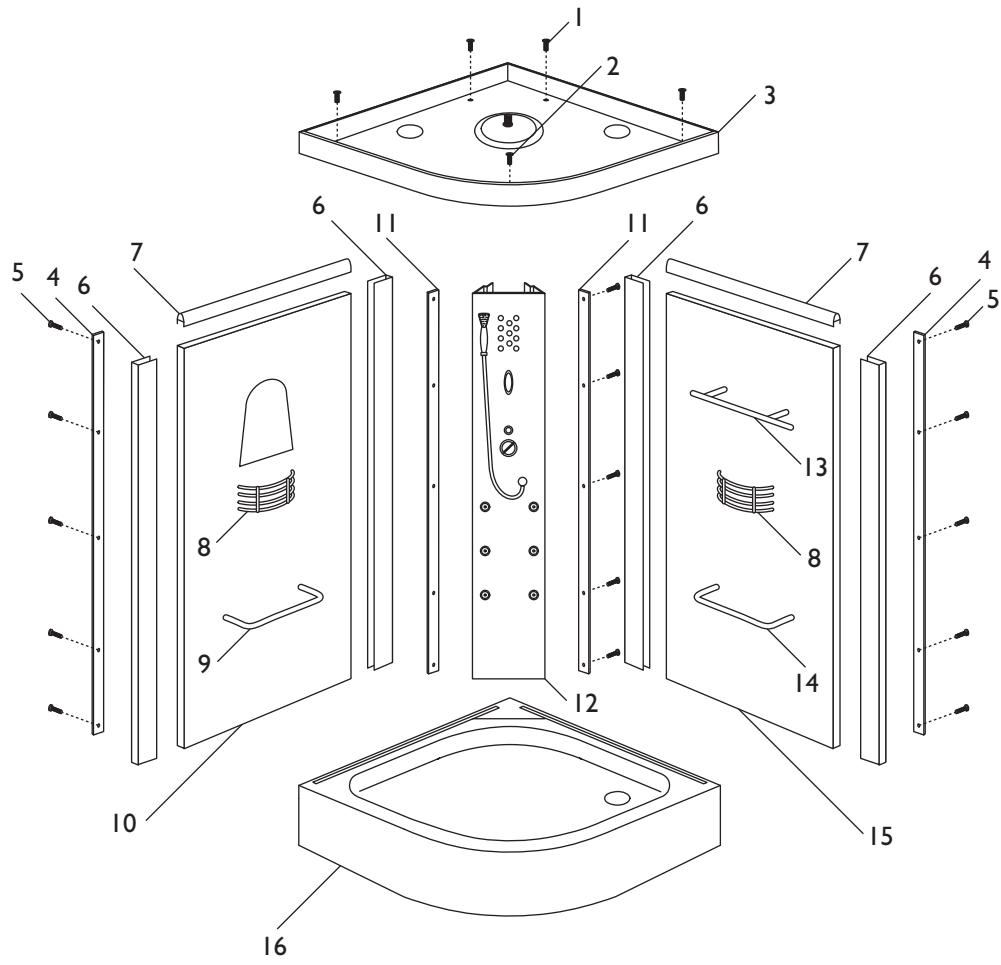
Laminate, vinyl & carpet floorings are not recommended.

Due to the size and weight of this product, (TC) recommend at least two persons install the unit.

(TC) Recommend all pre-fitted connections/ fittings are checked & tested during and after installation to ensure a water tight connection.

## Parts

1. M6X20 Bolt	X2
2. ST 3.5x16	X3
3. Top Cover	X1
4. Side Column Strip (pre-fitted)	X2
5. ST 4x20 (pre-fitted)	X40
6. Foam Glass Seal (pre-fitted)	X8
7. Side Glass Seal	X4
8. Shelf Unit	X1
9. Left Handrail	X1
10. Glass Panel	X2
11. Back Panel Securing Strip (pre-fitted)	X2
12. Back panel Column	X1
13. Flannel Rail	X1
14. Right Hand Rail	X1
15. Glass Panel	X1
16. Tray	X1
17. ST 3.5X25	X8
18. ST 4X10 (pre-fitted)	X8
19. Glass Securing Strip (pre-fitted)	X4
20. Top Curved Profile	X1
21. Corner Post	X2
22. Glass Seal	X2
23. Fixed Glass Panel	X2
24. Scraper Seal	X2
25. R/H Door	X1
26. L/H Door	X1
27. Wheel Assembly	X8
28. Magnetic Seals (pre-fitted)	X2
29. Bottom Curved Profile	X2



# Installation Instructions Trinity Steam Cabinet

## Electrical Specifications

Rated Voltage 220/240V

Rated Output 50Hz

Steam Generator Output 2.8KW

Control Circuit Voltage 12V

Controlled Current 2<20 Amp (15 Amp nominal on initial start-up)

- Electrical connections should be carried out to national standards by a qualified electrician.
- Supply requirements- 240V live, neutral, earth-minimum cable diameter 4mm. An Exponential earth from the steam generator is supplied-WARNING-THESE APPLIANCE MUST BE EARTHED!
- The supply must be via an Earth Leakage/Residual Circuit Device (ELCB/RCD/RCCB) located outside the room where the unit is installed, and must be permanently connected via fixed wiring to a 20 Amp fused supply.
- The unit should have its own dedicated point of isolation, either an isolation switch outside the room where the unit is installed, or by a 20 Amp ceiling mounted pull switch which can be positioned inside the room.

## Water Supply Requirements

Hot minimum 1.5 Bar pressure

10 Litres per minute

Cold minimum 1.5 Bar pressure

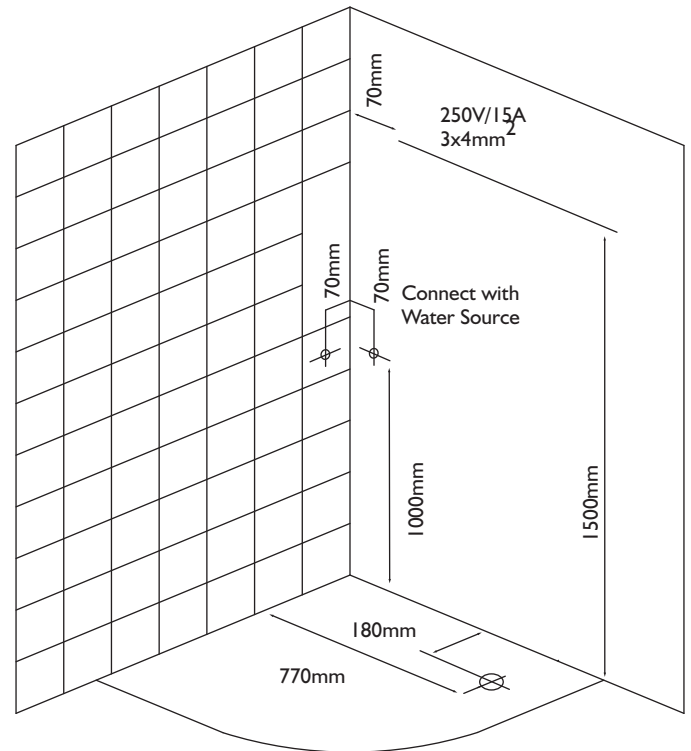
10 Litres per minute

- Please note hot and cold pressures must be balanced.
- Isolation valves must be fitted to the supply pipework.
- Supply to steam generator should be mains pressure only, connecting the generator directly to a pumped supply can damage the pump and generator.

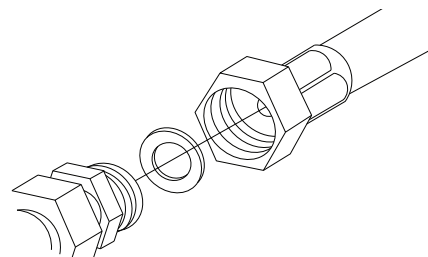
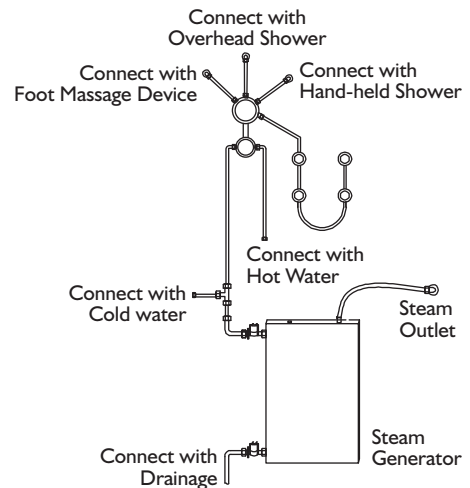
## Assembly

- Remove all protective packaging/film and check all components are present and intact before fitting commences. Claims for damaged items will not be entered into if the unit is installed. Note- some items (such as seals) may be pre-fitted to ease installation.
- Position your water supplies/waste pipes and electrical connections as per diagram 'Plan of Pipework'

## Dimensions for Waterpipes and Electrics

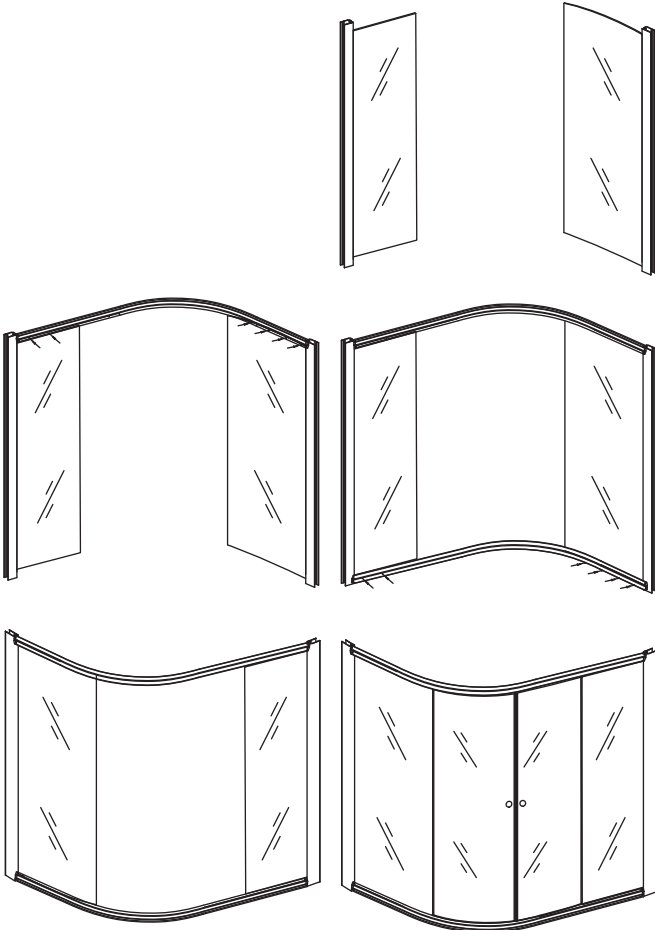


## Plan of Pipework



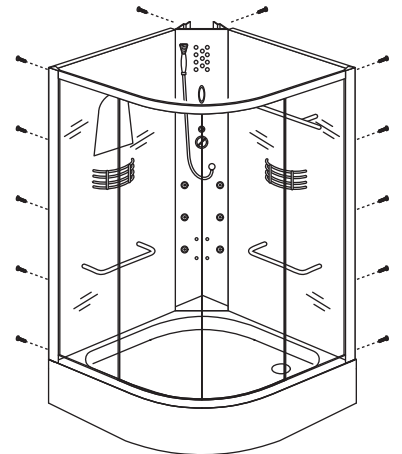
Note: All the pipe joints are attached with sealing rubber washer

- Offer the tray into position and set level by adjusting the height on the legs fitted to the underside of the tray.
- Now move the tray back away from the wall so that you have enough room to be able to get to the rear of the unit during construction.
- Connect the side profiles to the top and bottom rails as in picture below

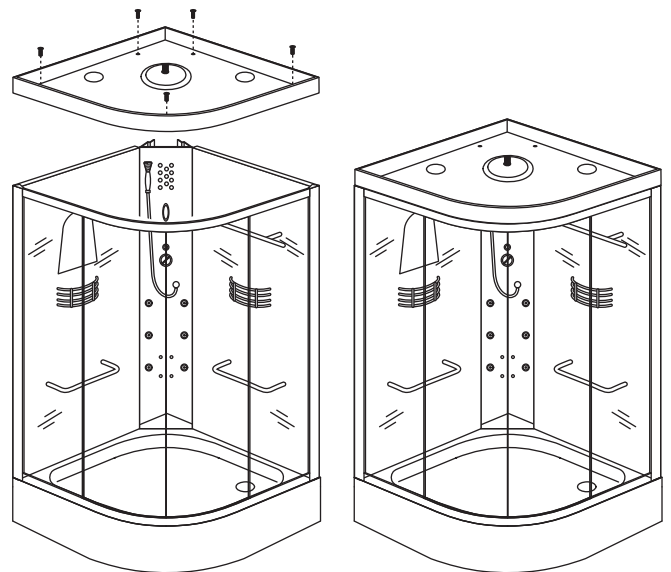


- Place the soft U shaped rubber seals onto the long side of the fixed glass panels. This may need trimming to suit. Undo the two clear plastic channels on the top of the curved profile, but only loosen the two on the bottom profiles. This enables you to locate the fixed glass panels into the bottom channels, then slide each panel into its location in the slot in the side profile. Re-fit the clear plastic channels to secure the glass into position.
- Remove the protective film from the two large glass back panels. You may need to temporarily remove the top and bottom seals that are pre-fitted to do this.
- Stand the shower tower onto the tray. Loosen the screws that hold the aluminium glass clamps in place down each side of the tower. Locate each glass back panel into position (ensuring the green "tinted" surface is to the inside of the unit) and re-tighten the glass clamp screws. (Note-the black foam seals-item 6 are pre-fitted) Do not over-tighten.
- Loosen the screws that hold the glass clamps in place on the two front side profiles. This enables you to lift the whole front section onto the tray, and secure it to the glass back panels with the clamps. Again-do not over-tighten the screws.

- Lift the roof section onto the top of the unit. Secure with three self-tapping screws around the curved front section. Feed the two M6x20mm bolts and washers through the holes in rear of the lid. These locate through the two L-shaped metal tabs at the top/rear of the shower tower, and tighten to secure.



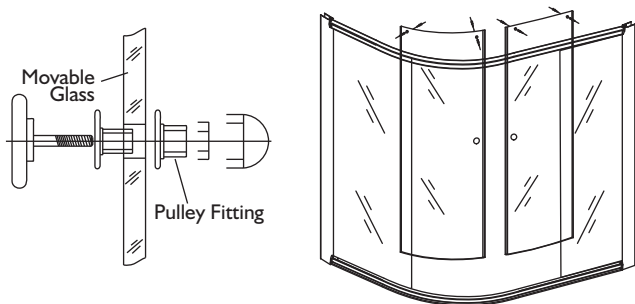
- Connect the male coloured wiring connectors at the back of the tower to its matching female counterpart, namely the control panel, rear lights, top light, fan and speaker. The connections on the top of the unit can be made by threading the cables through the access hole at the rear of the roof, along with the radio aerial cable.
- Feed the braided hose that feeds the overhead shower through the same access hole, ensuring the black rubber sealing washer is in place and tighten securely to the thread attached to the shower-head.



- Connect the other end of the white flexible hose that is attached to the waste, to the brass outlet at the base of the steam generator. This is secured by means of the jubilee clip supplied.
- Seal the waste unit to the tray with a sanitary grade silicone, and connect securely to your waste water pipe-work.
- Fit the flannel rail, shelves, hand rails x2 and the holders for the foot massager x2 into their appropriate positions on the glass back panels.

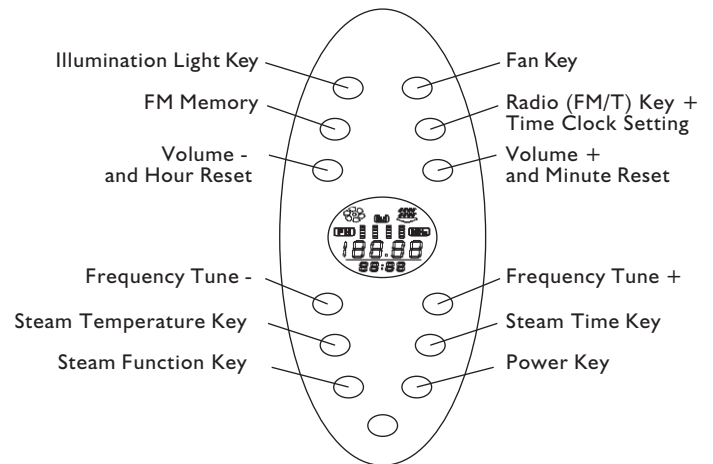
## Installation Instructions Trinity Steam Cabinet

- Connect the hand-held shower to its hose. Connect the opposite end of the hose to the outlet in the middle of the shower column.
- Connect the foot massager unit to its hose. Connect the opposite end of the hose to the outlet at the bottom of the shower column. Hang the massager onto the two white knobs on the glass panel.
- Seal around the rear of the unit, along the bottom of the fixed glass panels and the base of the shower column, with a sanitary grade silicone sealant.
- Connect the water inlet supplies to the appropriate braided inlet hoses.
- Check all pre-fitted connections are secure.
- Turn on the water supply to the unit and test the whole unit very carefully for leaks, including the waste.
- If all is well, make the electrical connections as per the requirements in the Electrical Specification section.
- Test all electrical functions before moving the unit into its desired position.
- Check waste pipe-work is secure.
- Fit the door runners to the glass doors as shown below-4 per door. Leave finger tight.



- Locate the two assembled doors into the top and bottom runners, and adjust by turning the white plastic nuts on the pulley wheels until the magnetic strips meet squarely along their entire length. Carefully tighten by turning the metal nut whilst holding in position with a small flat-blade screwdriver. Fit the domed cover caps to each assembly.
- Fit the door handles to the doors with the bolts provided, ensuring the seals are in place where the handle touches the glass.
- Fit the 2 shorter vertical scraper seals to the outer edges of the door glass, and longer ones to the fixed glass panels.

## Control Panel Operation Instructions



### Power Key

- Pressing this will illuminate the Control Panel, and enable the steam, radio, lighting and fan functions to be used.
- Pressing again will disable the above functions.
- Note-The time clock remains on at all times, as long as there is an electrical supply to the unit.

### Illumination Light Key

- Pressing this key once will turn on the overhead light.
- Pressing this key twice will turn on the blue ambient lighting.
- Pressing a third time will turn on both lights.
- Pressing a fourth time will turn off the lights.

### Fan Key

- Pressing once turns on the air circulation fan.
- Pressing twice turns off the air circulation fan.

### Steam Function Key

- Press once to activate the steam function
- Press again to de-activate the steam function

### Steam Time Key

- Each press of this key increases the length of time the steam operates. The minimum time is 10 minutes. Each further press increase this in 5 minutes increments, up to a maximum of 60 minutes. A further press of this key after the 60 minutes setting will return the time back to the minimum 10 minute setting.

### Steam Temperature Key

- Each press of this key increases the maximum ambient temperature inside the unit when the steam function is used.
- The minimum ambient temperature setting for the steam function is 25 Degrees Centigrade, and can be adjusted in one degree increments up to a maximum of 60 Degrees. A further press of this key after the 60 Degree setting will return the temperature back to the minimum 25 Degree setting.

## Radio (FM/T) Key

- Press once to turn the FM Radio on.
- Press again to turn the radio off.

## Time Clock Setting

- To set the time clock- Press both the (FM/T) key and (MEM) key together. The time display will then start flashing. Adjust the time by means of the Volume + (Hours) & - (Minutes) Keys. After the time has been adjusted, the display will stop flashing after a few seconds and display the correct time thereafter.

## Volumes + & - keys

- Use these to adjust the sound level of the radio

## Volumes + & - keys

- Use these to search for a desired radio Station

## FM Memory (Mem) Key

- Use this key to store up to 8 of your favourite FM radio stations.
- Select a radio station using the tuning + & - keys.
- Press the "MEM" key once, and the station frequency will flash. Once this has stopped flashing, this frequency will be stored to "MEM 1" position.
- This station can in future be retrieved by pressing the "MEM" key once.
- Further stations can be stored in the same way as above, but by pressing the "MEM" key twice to store to MEM 2, three times to store to MEM 3 etc. up to a maximum of 8 stations.

## Use and Maintainance

- Use only a mild soap based solution to clean the unit. The use of bleach, ammonia or abrasive agents may damage the unit, and may invalidate any guarantee.
- Turn off the mains power to the unit if it not to be used for long periods of time.
- Ensure the room where the unit is to be installed is well ventilated, an external extractor fan is recommended, and in many cases is a building regulation requirement.
- For safety reasons, it is recommended that children, the infirm, and persons suffering from heart problems/diabetes/high blood pressure do not use the steam function.
- If when using the steam function you feel light-headed-cease use immediately.

## Error Codes-Steam Function

- This unit is fitted with a system which recognises faults to the steam function. In the unlikely event of a malfunction an error code will be displayed on the control panel.
- E1- Temperature Sensor Error-check the sensor for damage
- E2- Water Level Sensor Error-The water level in the generator is too low.

Check the supply to the steam generator. Ensure there are no damaged or kinked pipes which may restrict water entering the steam generator:

- E3- Water Level Overtime Error-No water entering the generator. Check for stuck valves and damaged/kinked pipe-work.
- E5- Over-Temperature Error- As a safety feature if the steam generator is getting too hot it will automatically cut off and display E5. Turn off the steam function and allow the unit to cool down before trying again.
- E6- Water Drain-Off Error-The water left in the steam generator after use is not being allowed to drain away. Check the hose from the bottom of the generator is not restricted, and the waste that it connects to is not blocked.
- If after inspection the error codes remain, or if you have any other queries concerning this unit- please call TC Customer services on 01924 868 390 for assistance.



**[www.tc-bathrooms.com](http://www.tc-bathrooms.com)**

Traditional Contemporary Bathrooms, 800 Bretton Park Way, Bretton Park Ind Est,  
Dewsbury WF12 9BS. Tel: 01924 868 383 Fax: 01924 868 384

**Helpline 01924 868383**