



Installation Instructions

Thermostatic
Flat Shower Tower

Installation Instructions Thermostatic Flat Shower Tower

Please read these instructions fully before installation

(TC) Products should always be fully inspected and examined at the earliest possible opportunity after purchase. Damage/defects must be reported prior to installation. Failure to do so will be seen as acceptance of quality.

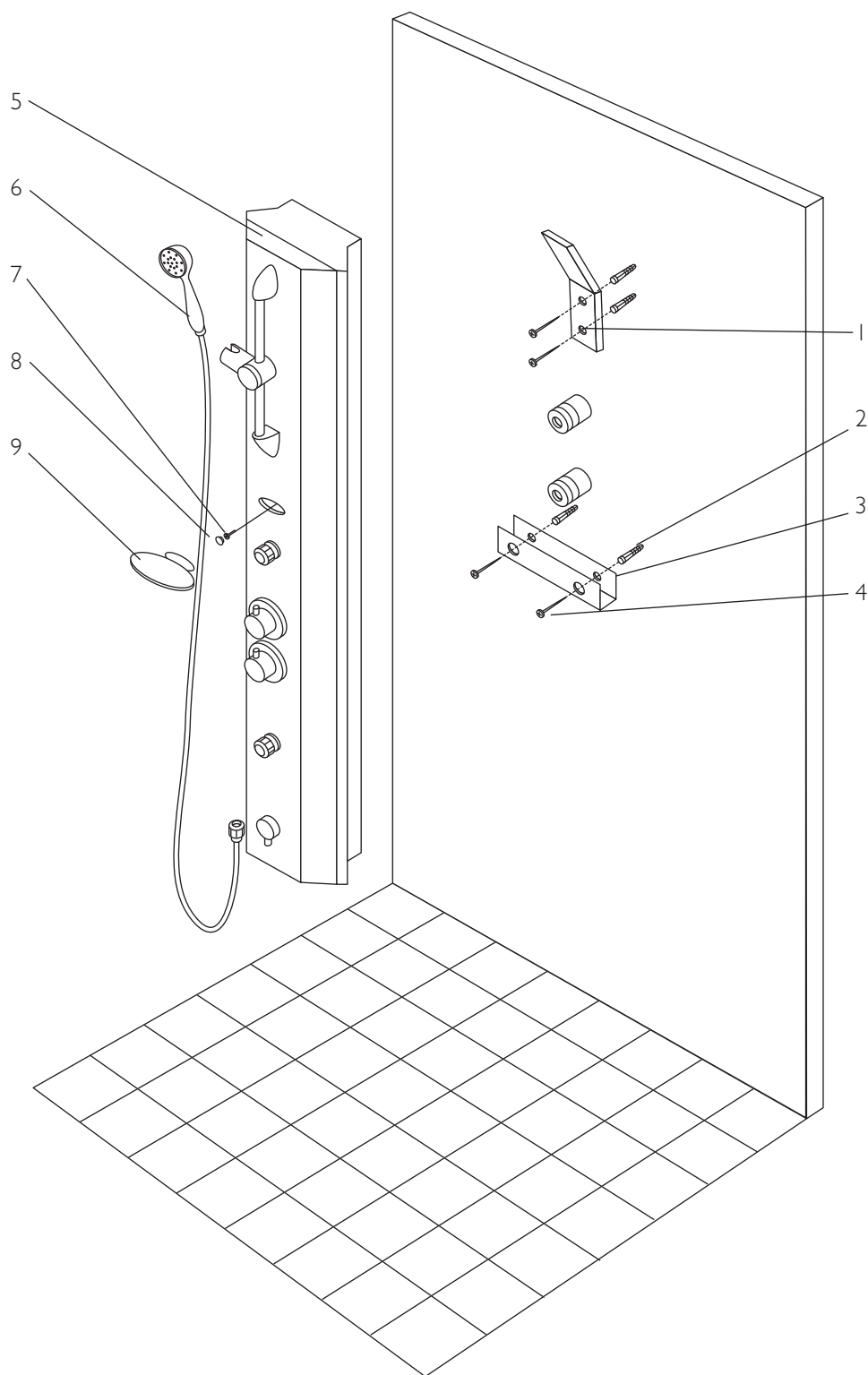
(TC) Recommend that our products should be installed by a competent qualified Bathroom Installer/Plumber. Failure to do so may result in damage to the product, and may result in the invalidation of any warranty or guarantee.

If a twin impellor pump is to be fitted, it may be necessary to remove the check-valves to enable the pump to start up. These are in the rear of the valve body, and can be removed simply by pulling them out with a pair of long nosed pliers.

(TC) Recommend all pre-fitted connections/ fittings are checked & tested during and after installation to ensure a water tight connection.

PARTS LIST

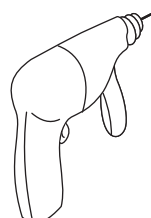
1. Top Bracket	x1
2. Wall Plugs (Solid walls only)	x4
3. Bottom Bracket	x1
4. Screw (5X30)	x4
5. Shower Tower	x1
6. Shower Head	x1
7. Brass Screw	x2
8. Screw Cap	x1
9. Glass Shelf	x1
10. Flexible Hose	x1



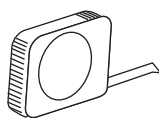
Spirit level



Silicone Sealant



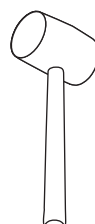
Electric drill (6mm)



Tape measure



Weight



Rubber hammer



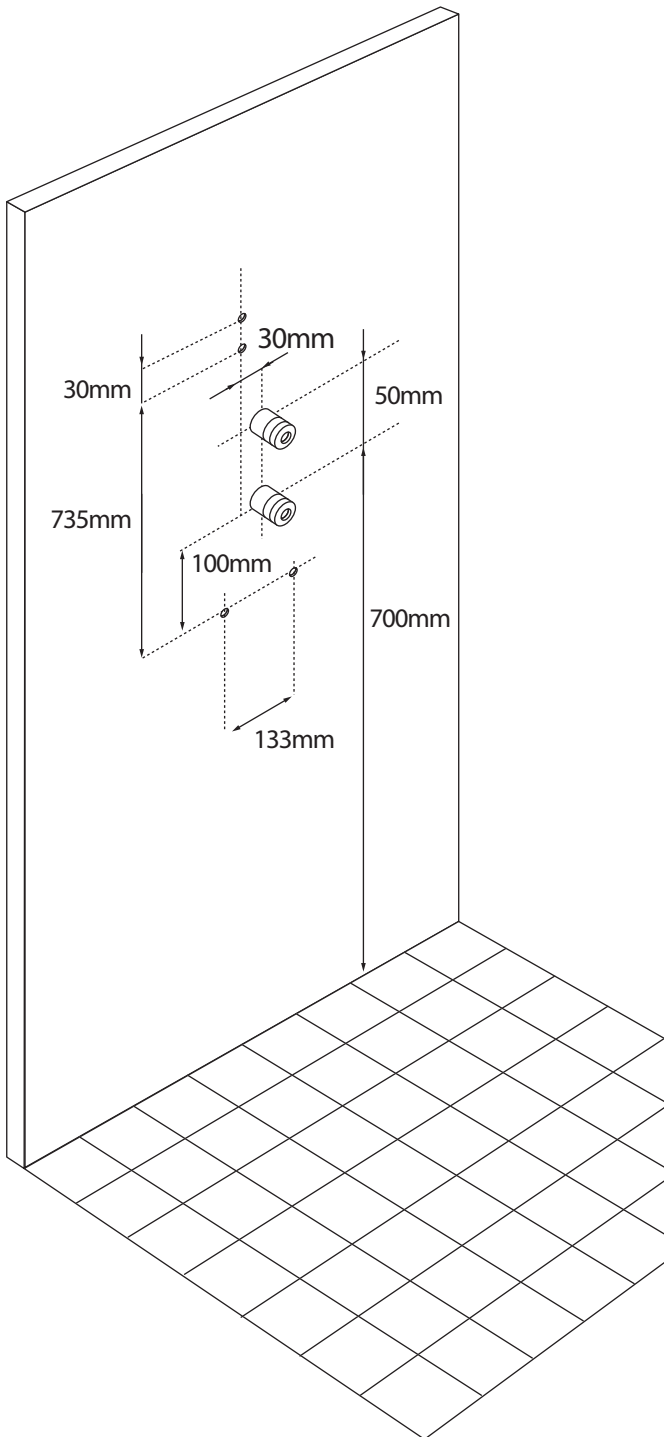
Pencil



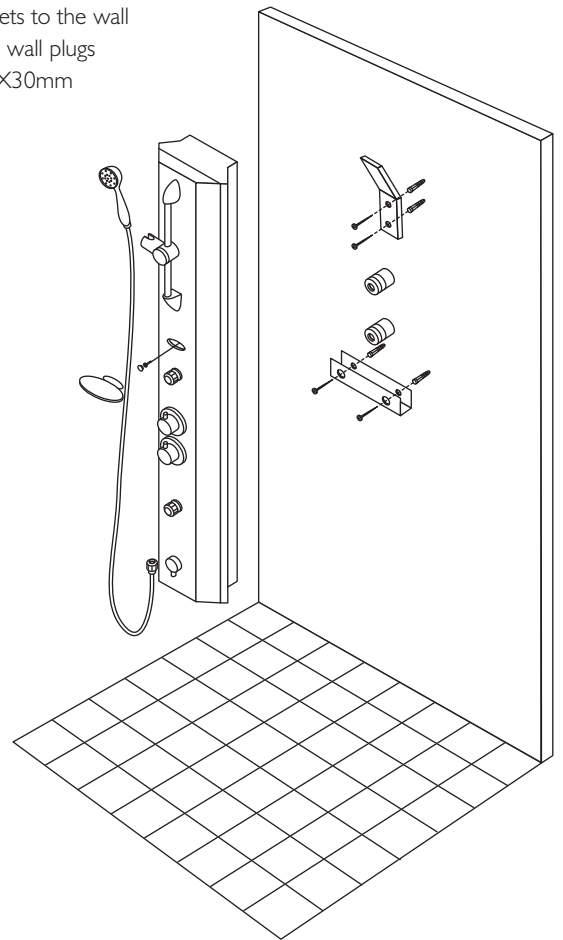
Philips Screwdriver

Installation Procedure

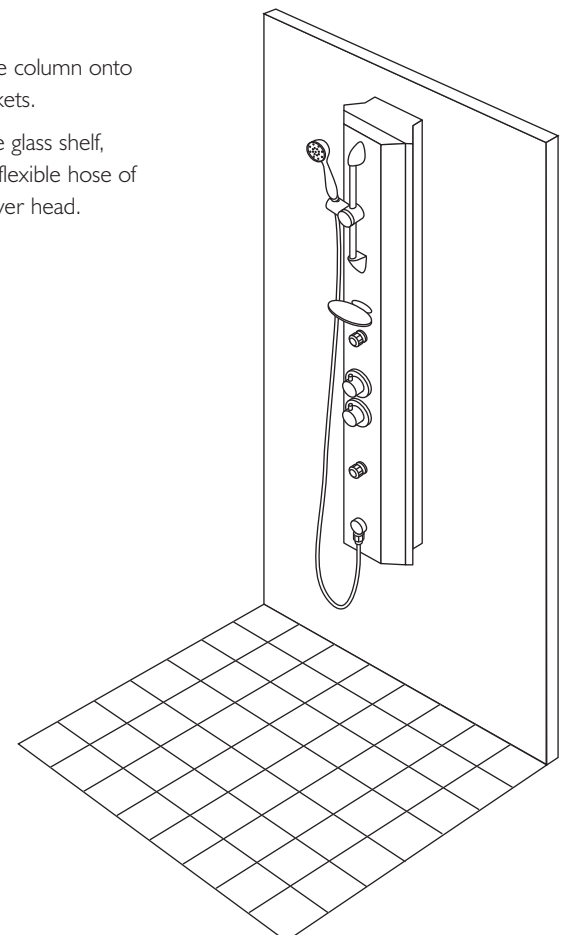
- The hot and cold water pipes need to be plumbed to the positions shown.



- Fix brackets to the wall using the wall plugs and ST5X30mm screws



- Hook the column onto the brackets.
- Install the glass shelf, connect flexible hose of the shower head.



Maintenance and Care

- Do not use excessive force when fitting the unit.
- Ensure there are no kinks in the pipework during and after fitting.
- Use only a mild soap based solution to clean the unit. The use of bleach, ammonia or abrasive agents may damage the unit, and may invalidate any guarantee.



www.tc-bathrooms.com

Traditional Contemporary Bathrooms, 800 Bretton Park Way, Bretton Park Ind Est,
Dewsbury WF12 9BS. Tel: 01924 868 383 Fax: 01924 868 384

Helpline 01924 868383