

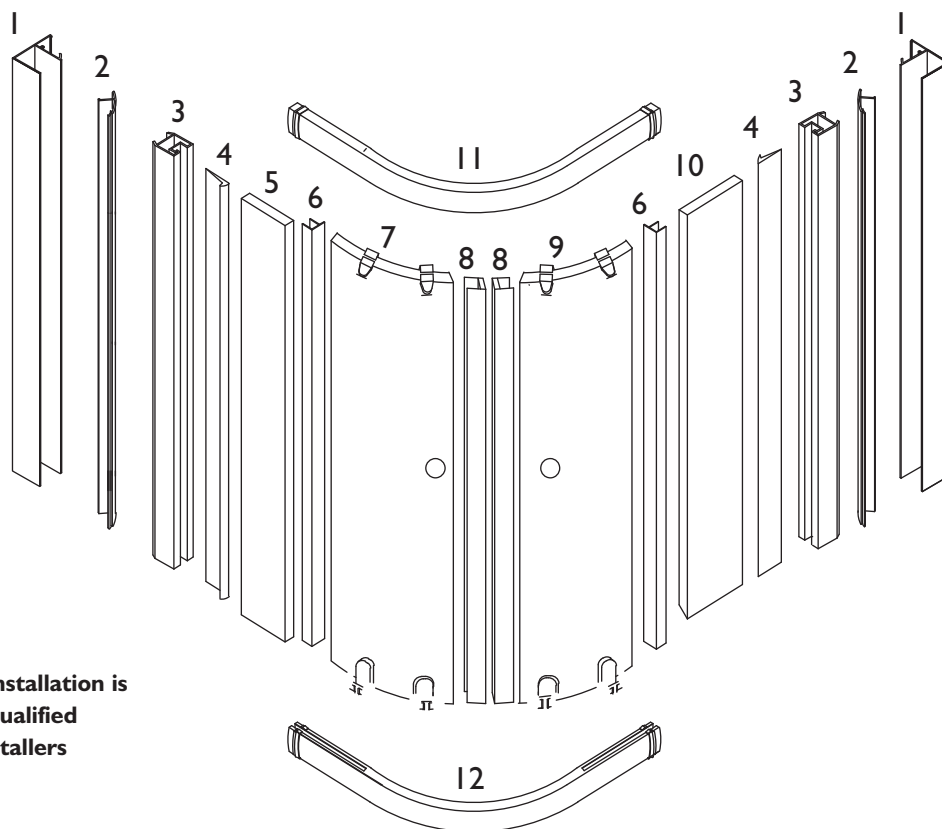


Installation Instructions

Style Twin Sliding
Door Quadrant

(tc)
bathrooms

Installation Instructions Style Twin Sliding Door Quadrant



We recommend that installation is carried out by a fully qualified competent team of installers

Part list

1	Aluminium wall profile	x2
2	Aluminium screw cover	x2
3	Aluminium Vertical frame profile	x2
4	Flat seal for glass panel	x2
5	Left hand flat tempered safety glass panel	x1
6	Push fit door seal	x2
7	Curved tempered glass door left hand	x1
8	Angled magnetic door seals	x2
9	Curved tempered glass door right hand	x2
10	Right hand flat tempered safety glass panel	x1
11	Aluminium top curved rail	x1
12	Aluminium bottom curved rail	x1

Fittings list

14	Wall plugs	x6
15	Chromed plastic end cap	x2
16	30mm screws	x6
17	20mm screws	x8
18	Chromed plastic joint trims	x4
19	Chromed plastic glass trims	x4
20	Plastic U seal	x4
21	Handle assembly	x1
22	15mm self tapping screws	x6
23	3mm drill	x1
24	8mm masonry drill	x1
25	Spanner	x1

Essential tools required to complete the installation

(Not supplied) Hammer drill, Pozidrive screwdriver No2 and No1, Flat blade screwdriver med and small, Rubber mallet, Bathroom or sanitary grade silicone sealant, Spirit Level, a metric tape measure, a Pencil and scissors and a helpful assistant!

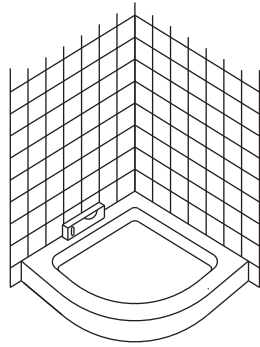
Prior to assembly

These instructions are for your safety and to help with the correct assembly and installation of the unit.

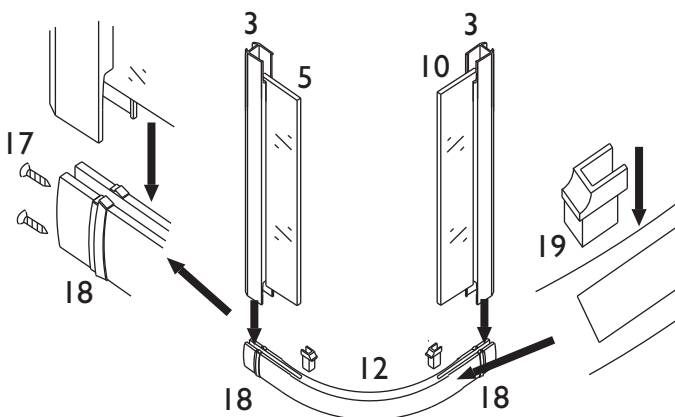
- Check this is the unit you ordered ensure it is the correct size and hand. The adjustment range is shown on the carton label if you are unsure please call our helpline.
- Check the parts against the parts list and the contents of the fittings box against the fittings list. Do not attempt installation if parts are missing this may be unsafe.
- Check the parts and fittings for damage. Do not attempt installation if parts are damaged this may be unsafe.
- It is recommended that the enclosure is not fitted to walls which are more than 15mm out of true vertically.
- When handling tempered safety glass care must be taken to ensure it is not knocked or damaged. It is safer to store the glass vertically (not horizontally) leant against a solid structure resting on a suitable surface such as cardboard or carpet. The enclosure must be fitted to walls that are sound and waterproof.
- Use a high quality bathroom or sanitary grade silicone sealant to achieve the best results.
- The fixings and masonry drills supplied are for solid walls such as brick or stone. If you are attempting to install this unit to any other type of wall use suitable fixings and if necessary seek professional advice.

Assembly

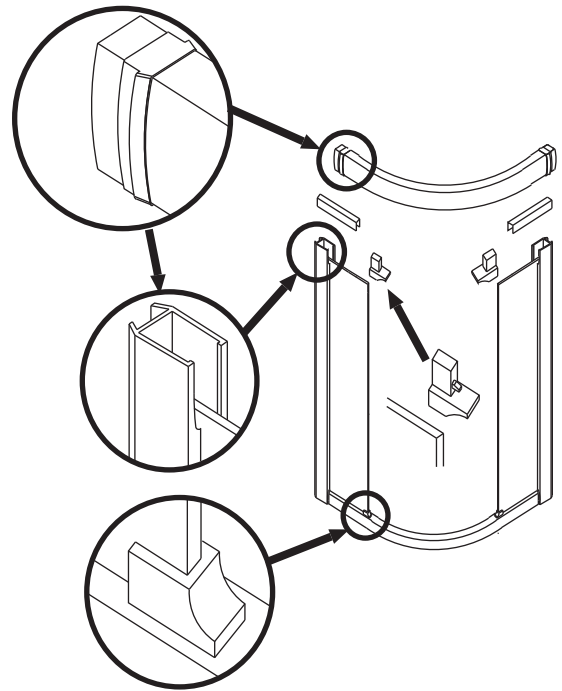
1. Install the shower tray in the desired position and connect the waste outlet pipes. It is a good idea to install the shower tray according to the manufacturers instructions to ensure it drains correctly and provides a level and stable base for the enclosure. The enclosures are designed to fit on to standard UK shower bases. However we only recommend these enclosures are installed on the dedicated shower tray as per our brochure. Due to the many and varied installation techniques commonly in use please ensure the enclosure will fit the tray prior to installation . The size and range of adjustment is shown on the label of the carton.



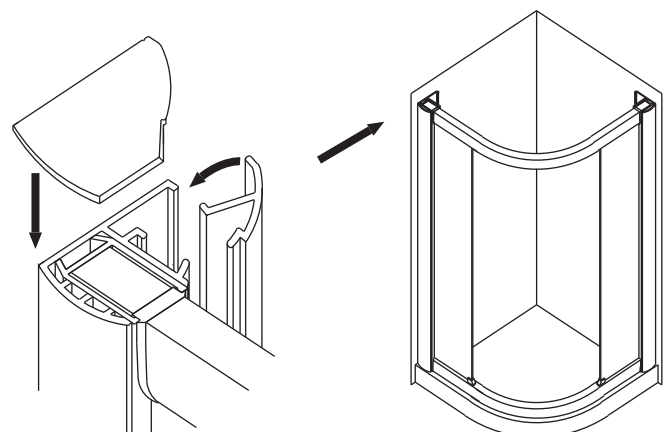
2. The first thing to do is to assemble the frame. You really will need that helpful assistant to help you to assemble this shower door safely. Start with the base curved rail (12) on the floor (the arrow sticker should point upwards). Slide the chromed plastic joint trims (18) on to the bottom rail as shown in diagram (they may be factory fitted).
3. If the flat glass (5,10) has been factory fitted to the vertical aluminium profile (3) (If not skip this point3 and go to point 4) push a U seal (20) over the bottom edge the seal may need to be cut to length, using scissors . The flat glass (5,10) is pushed into the corresponding slot in the base curved rail ensuring the glass locates neatly into the end of the slot of the chromed plastic glass trim (19). If it is a tight fit then use a soap solution to lubricate. Secure with two 20mm screws (17) Do not completely tighten screws. Repeat on the other side while your assistant supports the first section. Go to point 5.



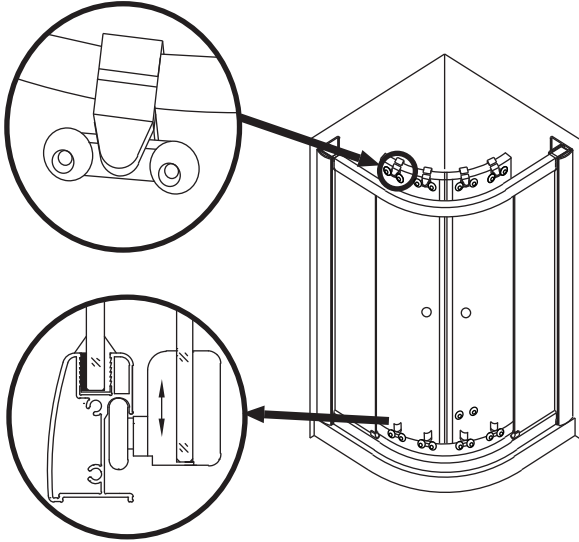
4. If the glass is not fitted to the vertical profile then push a U seal (20) over the bottom edge of the flat glass (5,10) the seal may need to be cut to length, using scissors . The glass with the U seal is pushed into the corresponding slot in the base curved rail (12) ensuring the glass locates neatly at the end of the slot in the chromed plastic glass trim (19). If it is a tight fit then use a soap solution to lubricate. Fit a frame upright (3) with two 20mm screws (17) Do not completely tighten screws. Repeat on the other side while you assistant supports the first section.



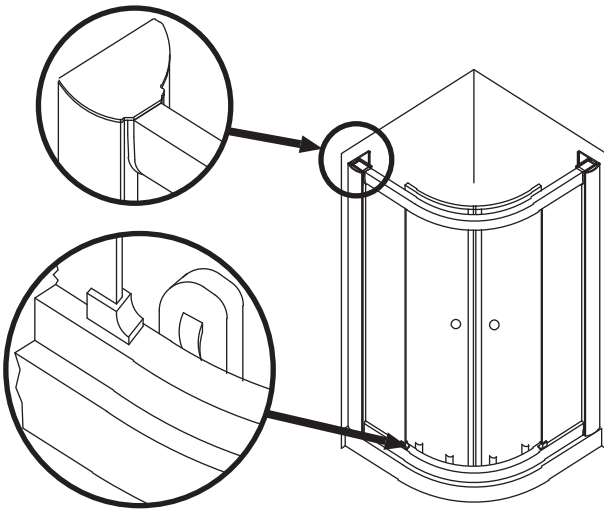
5. Push a U seal (20) onto the top of the glass on both sides. The seal may need to be cut to length, using scissors. Fit the chromed plastic joint trims to the curved top rail as shown in the diagram (These may be factory fitted). Then push on the top curved rail (11). If it is a tight fit then use a soap solution to lubricate. The top and bottom rails have to be parallel for the doors to fit and so check they are parallel using a tape measure and if necessary use a rubber mallet to help locate the top rail into position.
6. Secure the top curved rail (12) with two 20mm screws (17) each side. If the glass was not fitted to the vertical profile then fit the long flat plastic sealing strip (4) to hold the glass securely into the frame. This is done from the back of the frame and the strip is pushed into the gap between the glass and the frame. The sealing strip will need to be cut to length, using scissors.
7. Push the wall profiles (1) onto the vertical sides of the frame. With the help of your assistant lift the frame onto the tray. Position the enclosure on the tray so it sits evenly all the way around the tray. Adjust the profiles to fit (ensuring they are vertical) and mark the position of the fixing holes on the inside of the wall profiles (1) . Take the frame off the tray with your assistant and fix the wall profiles using the 8mm masonry drill(24), 8 x 30mm screws (16) and wall plugs(14).



8. With the help of your assistant lift the frame onto the tray. Locating it in the wall profiles (1). Fitting the enclosure into the wall profiles can be tricky it is a two man job! Screw the enclosure to the wall profiles using the 15mm screws (22) and the 3mm drill(23). Clip the aluminium screw cover (2) over the screws on the wall profiles and fit the chromed end caps (15) on top of the frame uprights (3) to finish as shown in diagram.



9. Fit the doors (7,9) by locating the runners in the top rail and pushing down on the bottom 5 Traditional and Contemporary sliding clips (or spring loaded rollers depending on model), ensuring that they locate in the bottom rail and the doors slide freely.



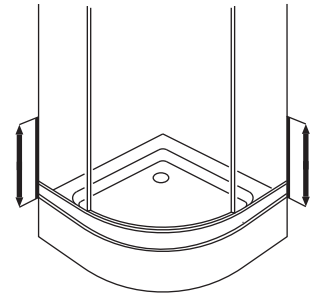
10. Fix the flexible seals (6) and angled magnetic door seals (8) to the doors. (These seals are oversized and will need to be trimmed to size. This can be done using a sharp knife.)

11. Fix the handle assemblies (21) to the the doors ensuring you use the clear plastic washers. NOTE do not over tighten. The threaded bar used to connect the handles may need to be unscrewed to allow it to reach through the glass.

12. Adjust doors to hang vertically ensuring the magnets meet together closely when the doors are closed. This is achieved using thespanner provided in the fixings kit. Slide the chromed cover off the roller assembly and loosen the nuts securing the roller assemblies to the door glass allowing the doors to be aligned. Once aligned retighten the nuts without excessive force and replace the chrome cover.

Sealing

Clean the enclosure thoroughly prior to sealing. On the outside of the enclosure, seal along the joint between the bottom of the enclosure and the tray and up the joint between the wall and the wall profile also seal the joint between the bottom rail and the vertical profile. It may be necessary to apply additional silicone to the frame joints in some installations as and where required.



Silicone sealant skins over quite quickly but it is important that the sealant is allowed to cure completely for 24 hours prior to a final check for leaks. Apply additional silicone as required.

Care and use

This enclosure is made from polished aluminium, tempered safety glass and plastic components. Do not use aggressive cleaning compounds such as scouring powders, cream cleaners, bleaches or solvent based products. Simple soap and warm water is the best cleaning solution.