

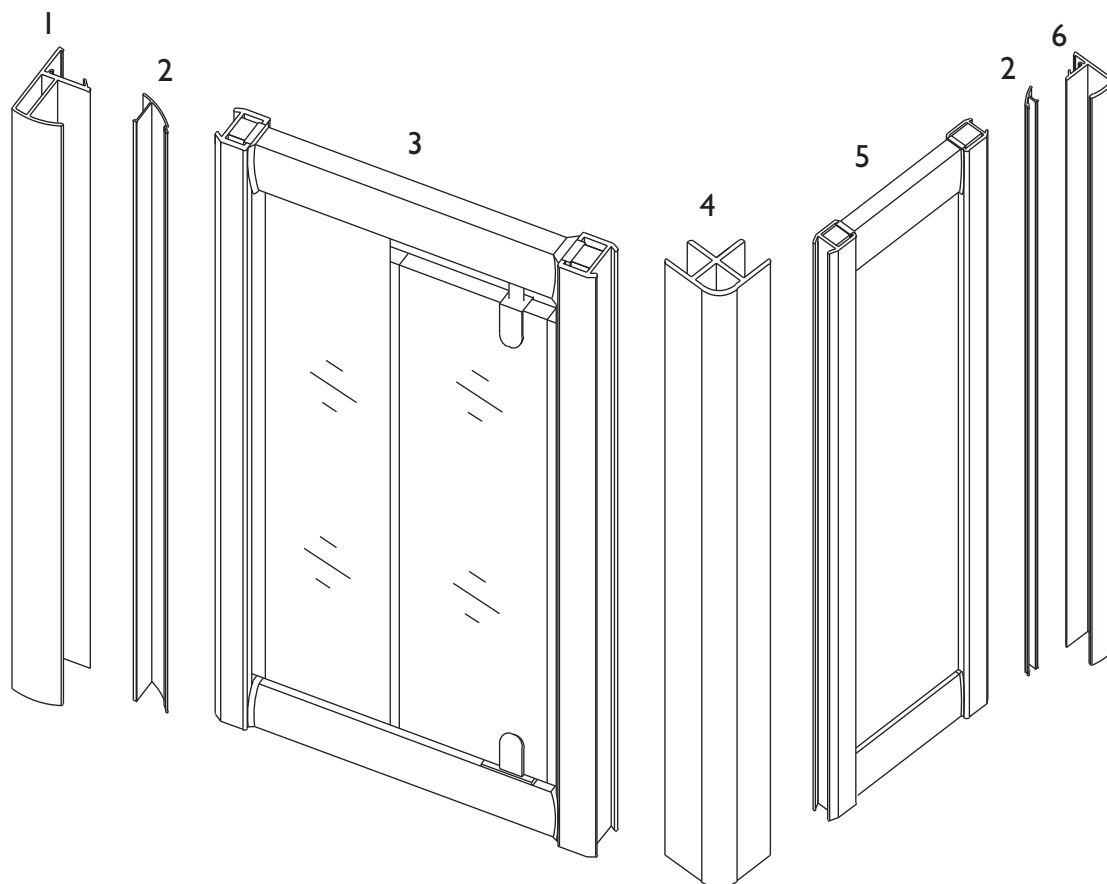


## **Installation Instructions**

Style Pivot Door  
& Optional Side Panel

(tc)  
bathrooms

## Installation Instructions Style Pivot Door & Optional Side Panel



### Part list

1	Aluminium wall profile extended	x2
2	Aluminium screw cover	x2
3	Pre assembled Pivot door in frame	x1
4	Corner post	x1
5	Side panel	x1
6	Aluminium wall profile standard	x2

### Fittings list

7	Wall plugs	x6
8	Chromed plastic end cap	x2
9	30mm screws	x6
10	Handle assembly	x1
11	15mm self tapping screws	x6
12	3mm drill	x1
13	8mm masonry drill	x1
14	Spanner	x1

### Essential tools required to complete the installation

(Not supplied) Hammer drill, Pozidrive screwdriver No2 and No1, Flatblade screwdriver med and small, Rubber mallet, Bathroom or sanitary grade silicone sealant, Spirit Level, a metric tape measure, a Pencil and scissors and a helpful assistant!.

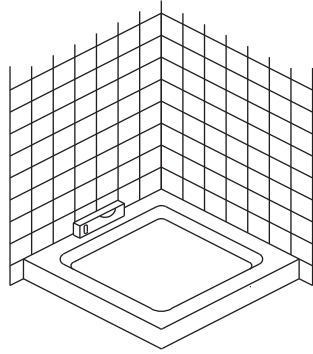
### Prior to assembly

These instructions are for your safety and to help with the correct assembly and installation of the unit.

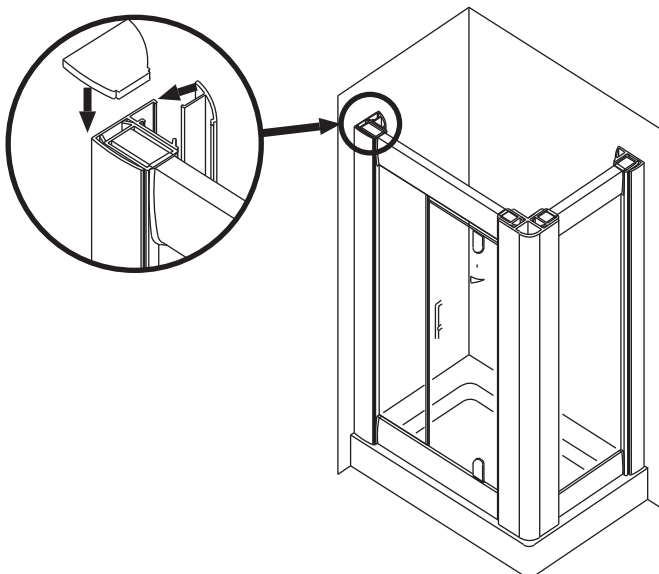
- Check this is the unit you ordered ensure it is the correct size and hand. The adjustment range is shown on the carton label if you are unsure please call our helpline.
- Check the parts against the parts list and the contents of the fittings box against the fittings list. Do not attempt installation if parts are missing this may be unsafe.
- Check the parts and fittings for damage. Do not attempt installation if parts are damaged this may be unsafe.
- It is recommended that the enclosure is fitted to walls which are not more than 15mm out of true vertically.
- When handling tempered safety glass care must be taken to ensure it is not knocked or damaged. It is safer to store the glass vertically (not horizontally) leant against a solid structure resting on a suitable surface such as cardboard or carpet.
- The enclosure must be fitted to walls that are sound and waterproof.
- Use a high quality bathroom or sanitary grade silicone sealant to achieve the best results.
- The fixings and masonry drills supplied are for solid walls such as brick or stone. If you are attempting to install this unit to any other type of wall use suitable fixings and if necessary seek professional advice.

## Assembly

Install the shower tray in the desired position and connect the waste outlet pipes. It is a good idea to install the shower tray according to the manufacturers instructions to ensure it drains correctly and provides a level and stable base for the enclosure. The enclosures are designed to fit on to standard UK shower bases. However we only recommend these enclosures are installed on the dedicated shower tray as per our brochure. Due to the many and varied installation techniques commonly in use please ensure the enclosure will fit the tray prior to installation. The size and range of adjustment is shown on the label of the carton.



1. The door frame and door are ready assembled. The door and frame can be fitted on to a recessed shower tray or on to a corner situation with the addition of an optional side panel.
2. When fitting on to a recessed tray push the wall profiles(1) onto the vertical sides of the frame(3). With the help of your assistant lift the frame onto the tray. Adjust the profiles to fit the gap and mark the position of the wall profiles and the predrilled fixing holes. Take the frame off the tray with your assistant. Drill and plug the fixing holes for the wall profiles using the 8mm masonry drill(13) and wall plugs(7) provided.
3. When fitting in a corner situation you will need to fix the side panel to the pivot door using the corner post and the 15mm screws(11) and 3mm drill(12) supplied. This assembly can then be installed in a similar way to the door only in the following instructions. NOTE The extended wall profiles provided with the door assembly are to be used for recessed installations and the extended wall profiles provided with the optional side panel are to be used for corner situations.
4. With the help of your assistant lift the frame onto the tray. Fix the required wall profiles to the wall using the six 30mm screws(9) provided. Screw the frame to the wall profiles using the 15mm screws(11) and 3mm drill(12) provided. Clip the aluminium screw cover(2) over the screws on the wall profiles and fit the chromed end caps(8) on top of the frame uprights to finish.

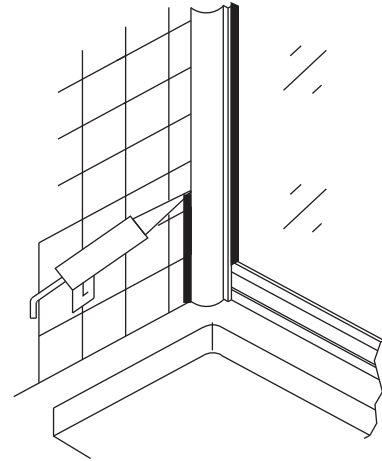


5. If necessary fix the flexible seals and angled magnetic door seals to the doors though they are normally factory fitted to the door. ( These seals if supplied loose are oversized and will need to be trimmed to size. This can be done using a sharp knife.)
6. Fix the handle assemblies (10) to the the doors ensuring you use the clear plastic washers. NOTE do not over tighten. The threaded bar used to connect the handles may need to be unscrewed to allow it to reach through the glass.
7. Adjust doors to hang vertically. A hexagonal spanner(14) is included in the fixing kit. Ensure the magnets meet together closely when the door is closed.

## Sealing

Clean the enclosure thoroughly prior to sealing. On the outside of the enclosure, seal along the joint between the bottom of the enclosure and the tray and up the joint between the wall and the wall profile also seal the joint between the bottom rail and the vertical profile.

Silicone sealant skins over quite quickly but it is important that the sealant is allowed to cure completely for 24 hours prior to a final check for leaks. Apply additional silicone as required.



## Care and Use

This enclosure is made from polished aluminium, tempered safety glass and plastic components. Do not use aggressive cleaning compounds such as scouring powders, cream cleaners, bleaches or solvent based products. Simple soap and warm water is the best cleaning solution.



**[www.tc-bathrooms.com](http://www.tc-bathrooms.com)**

Traditional Contemporary Bathrooms, 800 Bretton Park Way, Bretton Park Ind Est,  
Dewsbury WF12 9BS. Tel: 01924 868 383 Fax: 01924 868 384

**Helpline 01924 868383**