

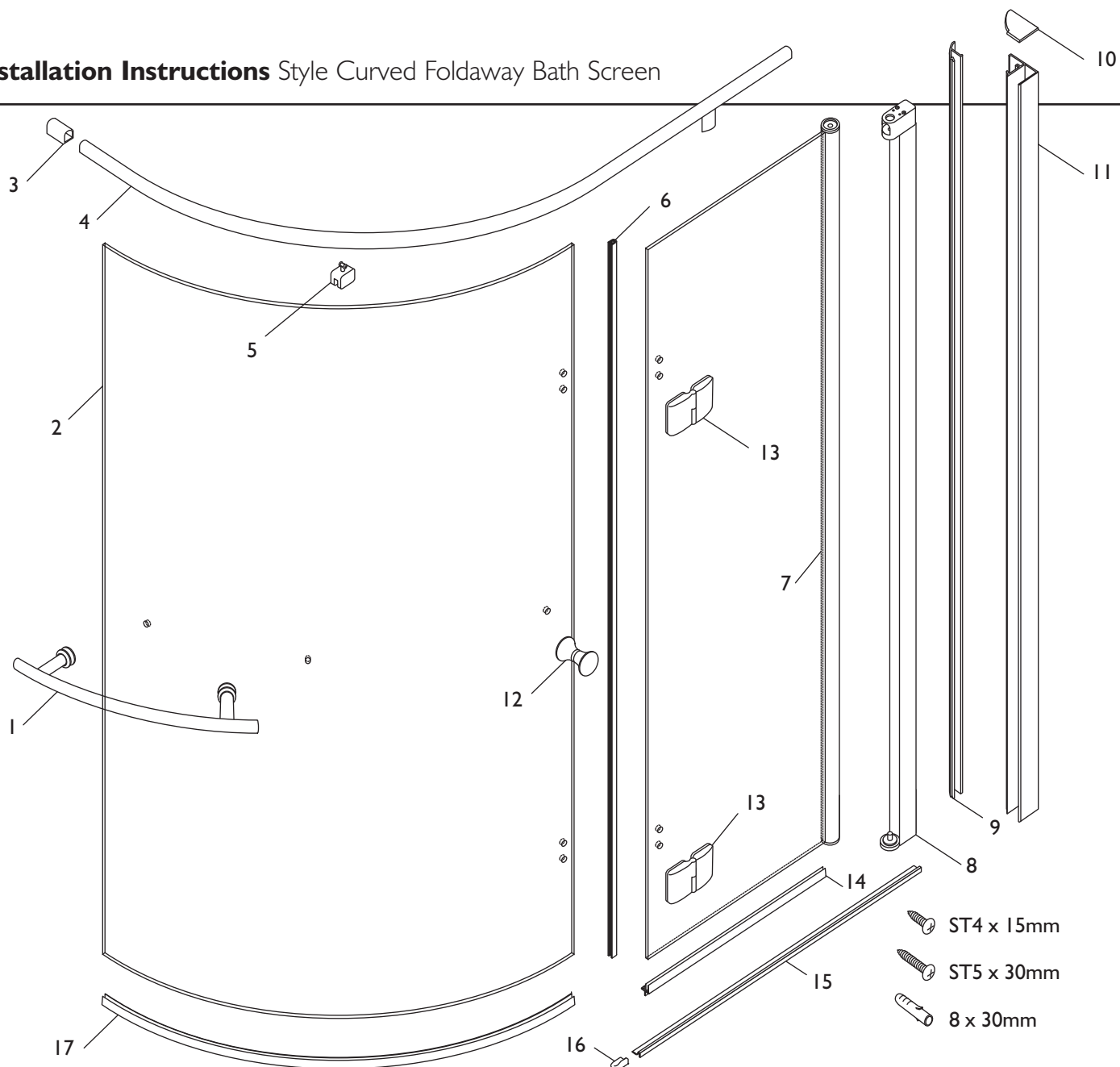


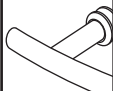
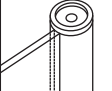
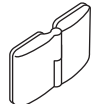
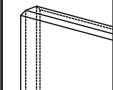
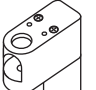
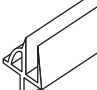
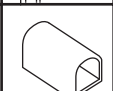

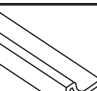
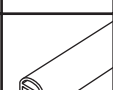
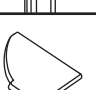
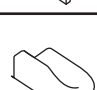
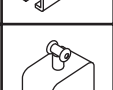
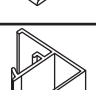

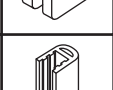
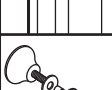
## **Installation Instructions**

Style Curved  
Foldaway Bath Screen

**(tc)**  
bathrooms

# Installation Instructions Style Curved Foldaway Bath Screen



	Description	Qty		Description	Qty		Description	Qty
	1. Towel Rail Large Handle Assembly	x1		7. Flat Tempered Safety Glass Screen	x2		13. Chromed Metal Folding Hinge	x1
	2. Moving Tempered Safety Glass Screen	x1		8. Aluminium Hinge Profile Assembly	x1		14. Flat Glass Plastic Seal Strip	x1
	3. Curved Support Rail Wall Fixing Boss	x1		9. Aluminium Screw Cover Profile	x1		15. Aluminium Bath Top Profile	x1
	4. Curved Support Rail	x1		10. Chromed Plastic End Cap	x1		16. Chromed Plastic Cap For Bath Top Profile	x1
	5. Moving Glass Twin Roller Assembly	x1		11. Aluminium Wall Profile	x1		17. Moving Glass Screen Plastic Sealing Strip	x1
	6. Moving Glass Panel Plastic Sealing Strip	x1		12. Knob Handle Assembly	x1			

## Fittings list

- Fixing kit includes screws, wall plugs, 8mm masonry drill and 3mm metal drill.
- We recommend that installation is carried out by a fully qualified competent team of installers.
- Essential tools required to complete the installation (Not supplied) Hammer drill, Pozidrive screwdriver No2 and No1, Flat blade screwdriver med and small, Rubber mallet, Bathroom or sanitary grade silicone sealant, Spirit Level, a metric tape measure, a Pencil and scissors and a helpful assistant!

## Prior to assembly

- These instructions are for your safety and to help with the correct assembly and installation of the unit.
- Check this is the unit you ordered ensure it is the correct size and hand. The adjustment range is shown on the carton label if you are unsure please call our helpline.
- Check the parts against the parts list and the contents of the fittings box against the fittings list. Do not attempt installation if parts are missing.
- Check the parts and fittings for damage. Do not attempt installation if parts are damaged.

It is recommended that the screen is not fitted to walls which are more than 15mm out of true vertically.

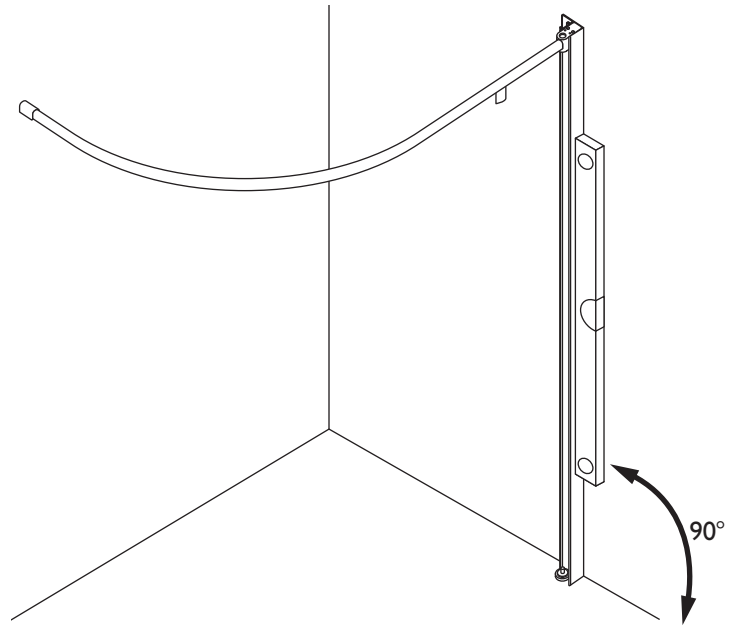
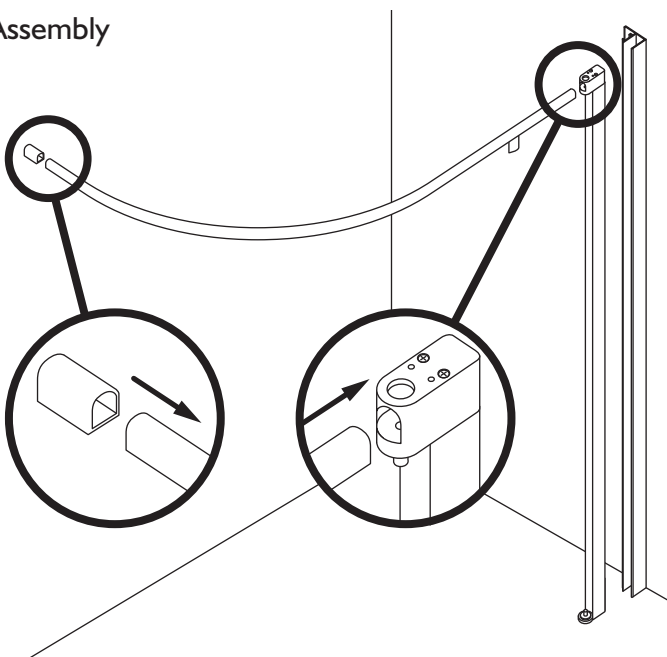
When handling tempered safety glass care must be taken to ensure it is not knocked or damaged. It is safer to store the glass, vertically (not horizontally) leant against a solid structure resting on a suitable surface such as cardboard or carpet.

The screen must be fitted to walls that are sound and waterproof.

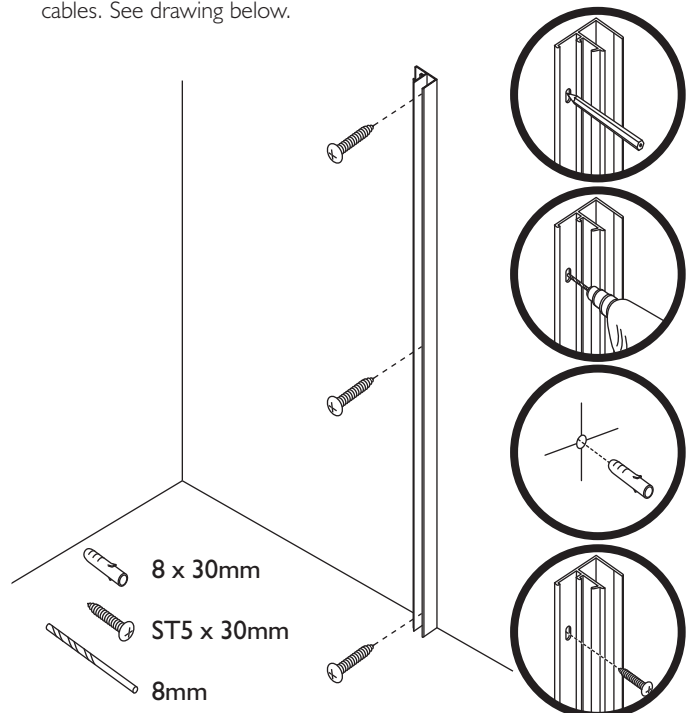
Use a high quality bathroom or sanitary grade silicone sealant to achieve the best results.

The fixings and masonry drills supplied are for solid walls such as brick or stone. If you are attempting to install this unit to any other type of wall use suitable fixings and if necessary seek professional advice.

## Assembly

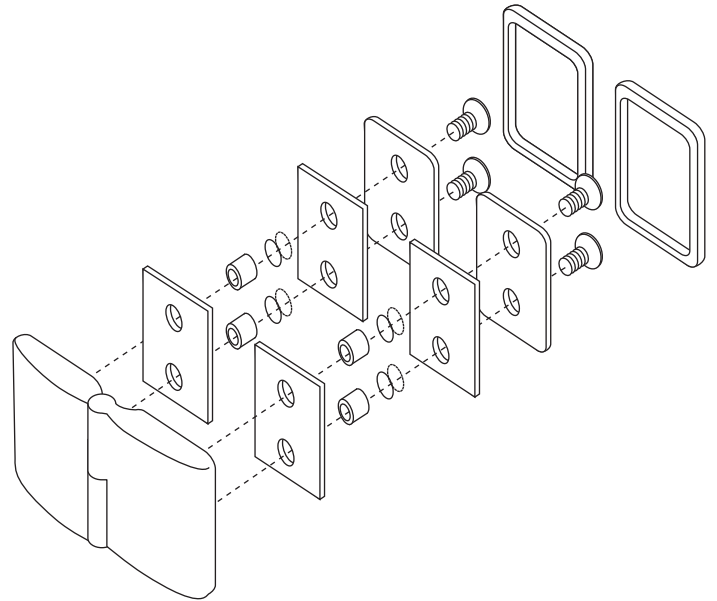
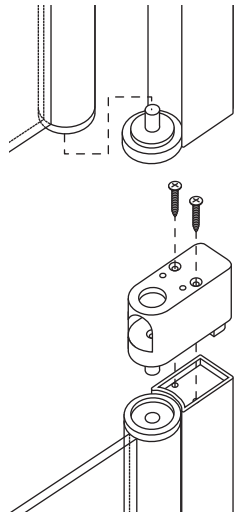


- Ensure the bath is fitted according to the manufacturer's instructions to ensure it drains correctly and provides a level and stable base for the enclosure. Check that any gap or crevice between the bath rim and the wall is filled flush with a suitable silicone sealant.
- Assemble the wall profile and hinge profile loosely Position over the bath rim on the short side of the bath so the glass screen will be in the required position relative to the bath rim. Remembering the bath top aluminium profile requires a flat bath rim section 20mm wide. Check the wall profile is vertical and then mark the position of the fixing holes in the wall profile. Measure the length required for the top curved rail and using the measurement marks on the support profile cut to length. Now remove the measurement marks sticky label and place safely to one side. See drawing below.
- Drill and plug the fixing holes or use a suitable proprietary fixing method. Fix the wall profile using the screws provided. Care must be taken when drilling into walls to avoid hidden pipes or electrical cables. See drawing below.

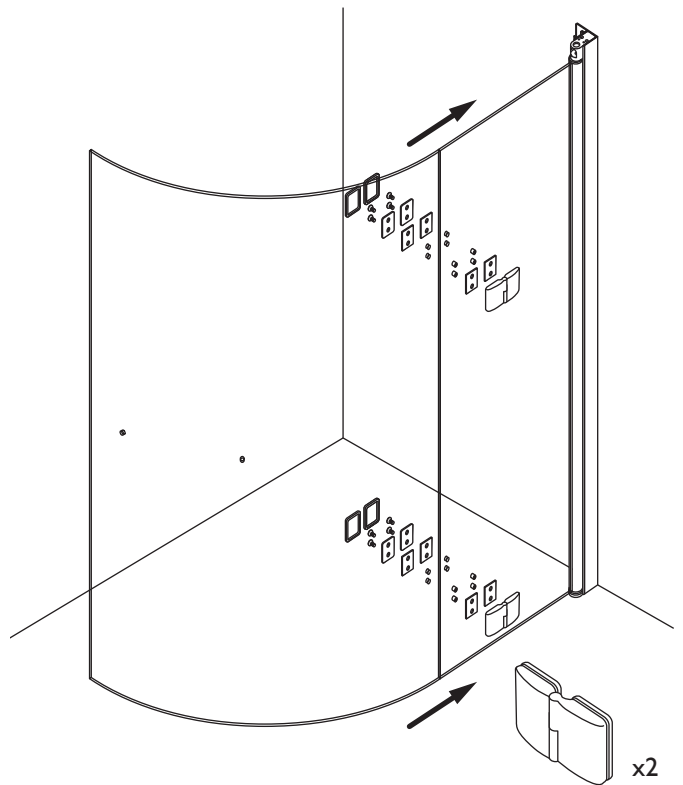


## Installation Instructions Style Curved Foldaway Bath Screen

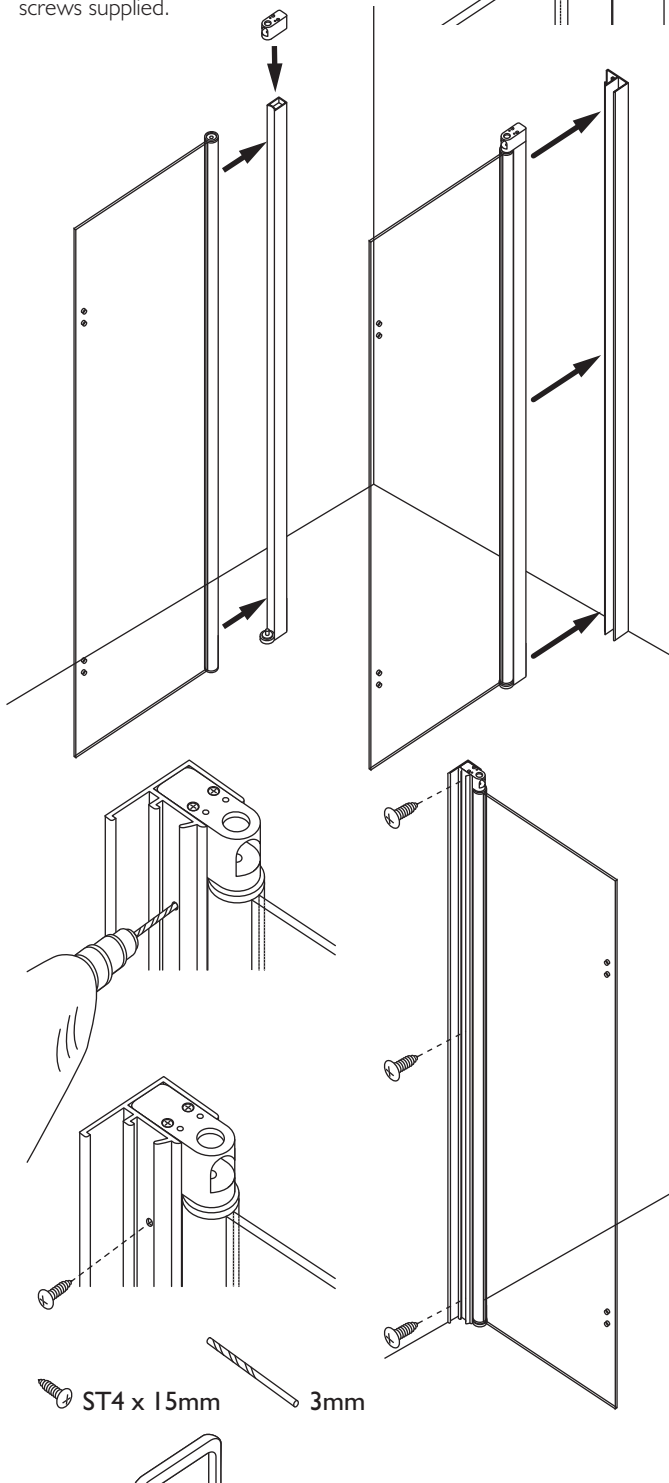
- Remove the top metal hinge from the hinge assembly profile using a screw driver and the two screws. Fit the flat glass panel on to the bottom hinge and complete the assembly by refitting the top hinge. Slide this assembly into the wall profile. Adjust the position of the glass assembly so it is parallel with the bath rim and vertical. The assembly should be pushed back into the wall profile as far as practical. This is where your helpful assistant holds the glass panel in position. Drill through the wall profile and the glass assembly profile with the supplied 3mm drill to fix into position with the 15mm screws supplied.

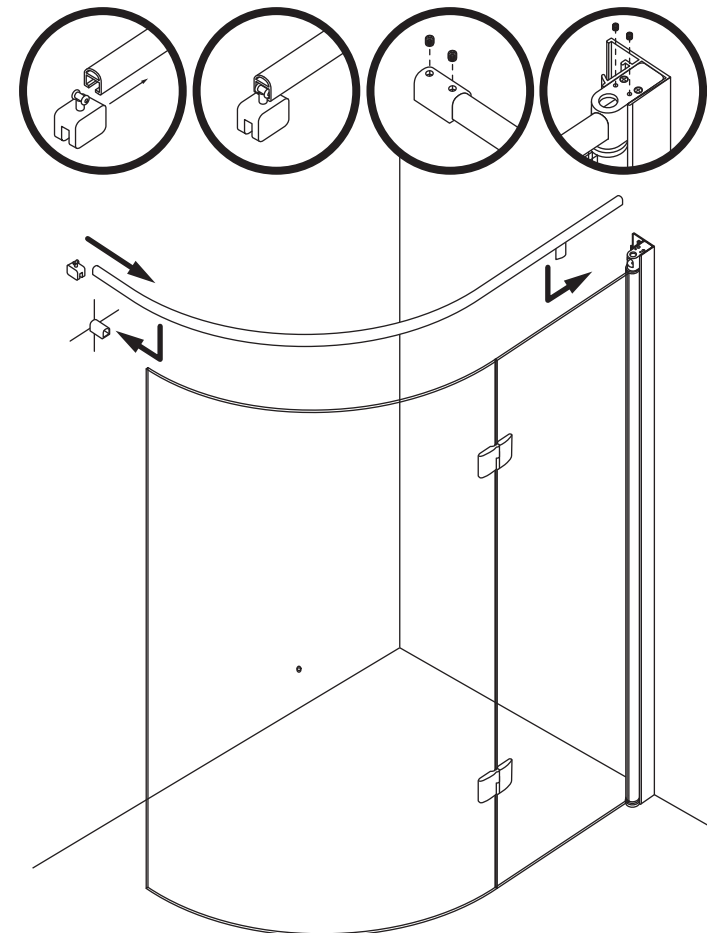
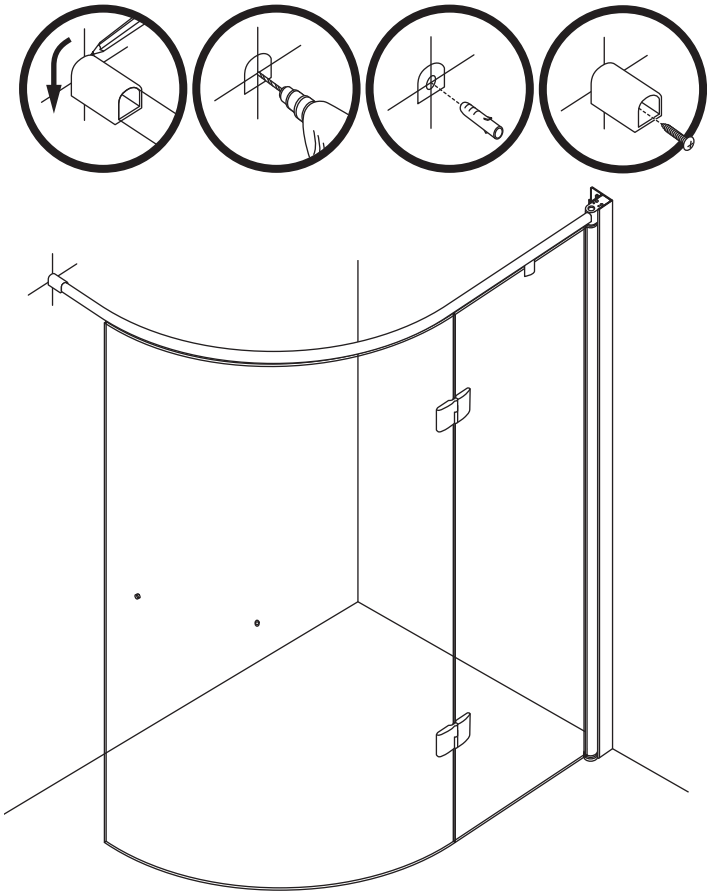


- Clip the frame screw cover on to the wall profile to cover the fixing screws.
- The curved glass panel is now attached to the flat glass panel using the Chromed brass hinge assemblies and 4mm hexagonal spanner as shown in the diagram below.

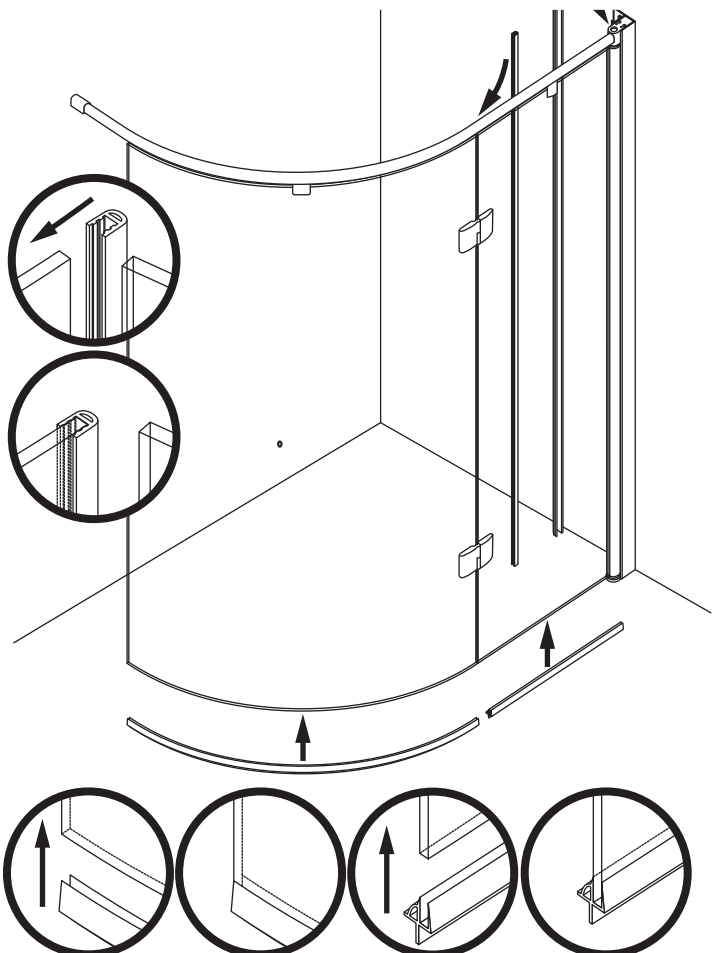
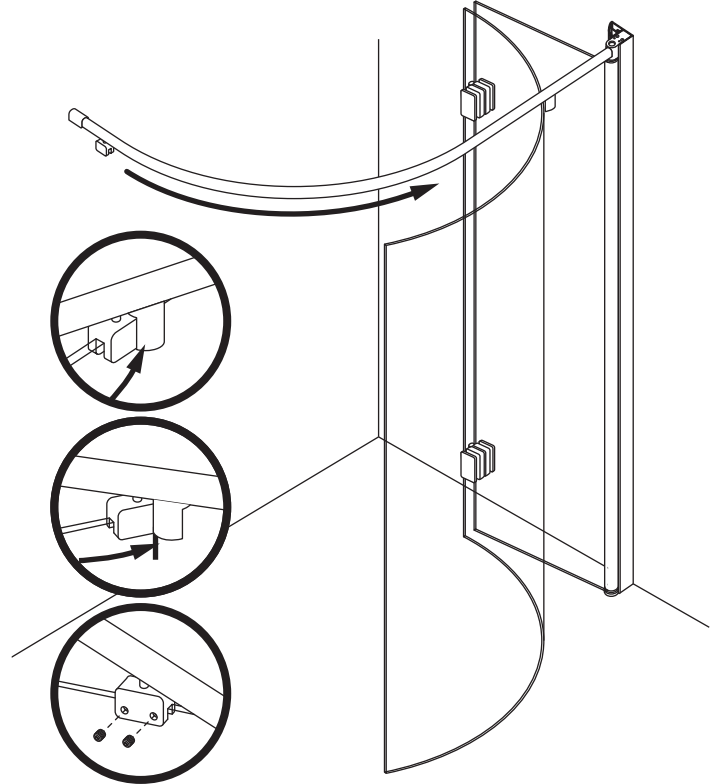


- The curved aluminium support rail can now be fitted in place using the wall fixing boss. Mark the position for the wall boss and using the included 8mm masonry drill, wall plug and 30mm No. 8 screw fix the wall boss to the wall. Slider the support rail roller mechanism in to the track on the support rail before fitting the support rail. The support rail can then be fitted into the wall boss and the socket on the frame profile and secured using the grub screws and hexagonal spanner. Please see the following diagrams.

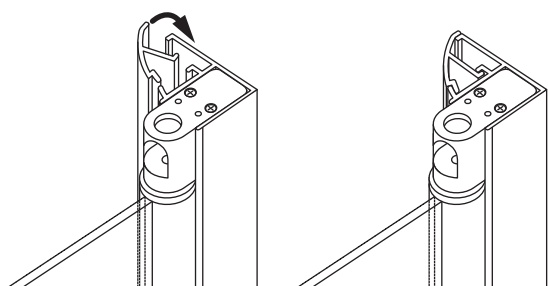




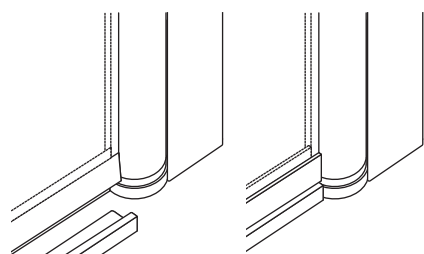
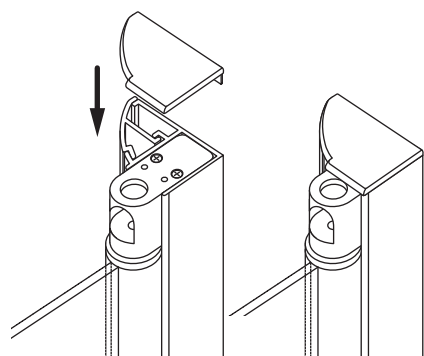
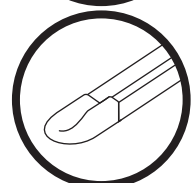
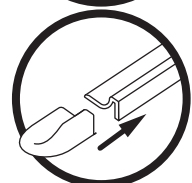
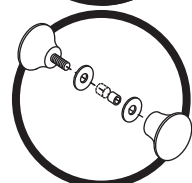
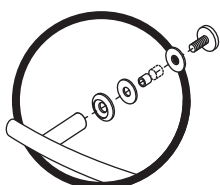
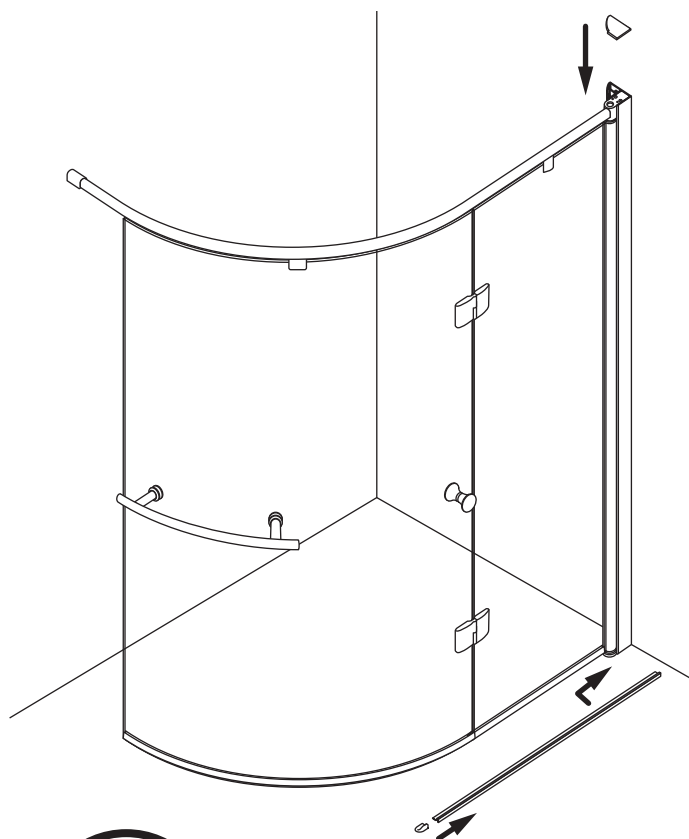
■ The roller assembly is now clamped to the moving curved glass panel. In order to locate the correct position for the roller, fold the screen flat against the wall as shown in the diagram below. Move the roller up against the stop on the rail and now using the two plastic clamping screws clamp the roller to the glass.



## Installation Instructions Style Curved Foldaway Bath Screen



- The various seals can now be fitted to the glass as shown below.



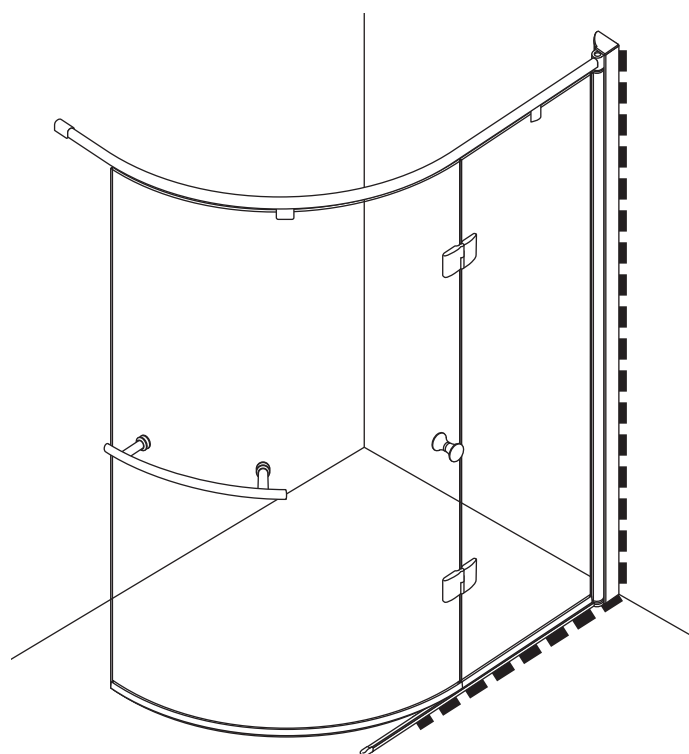
- Fix the handle assemblies to the door ensuring you use the clear plastic washers. NOTE do not over tighten. The threaded bar used to connect the handles may need to be unscrewed to allow it to reach through the glass.

- The drip strip and end cap can be fixed to the bath with silicone.

### Sealing

- Clean the screen thoroughly prior to sealing. On the outside of the screen, seal all the way up the join between the wall and the wall profile.

- Silicone sealant skins over quite quickly but it is important that the sealant is allowed to cure completely for 24 hours prior to a final check for leaks. Apply additional silicone as required. See diagram below.



### Care and use

This screen is made from polished aluminium, tempered safety glass and plastic components. Do not use aggressive cleaning compounds such as scouring powders, cream cleaners, bleaches or solvent based products. Simple soap and warm water is the best cleaning solution.



**[www.tc-bathrooms.com](http://www.tc-bathrooms.com)**

Traditional Contemporary Bathrooms, 800 Bretton Park Way, Bretton Park Ind Est,  
Dewsbury WF12 9BS. Tel: 01924 868 383 Fax: 01924 868 384

**Helpline 01924 868383**