

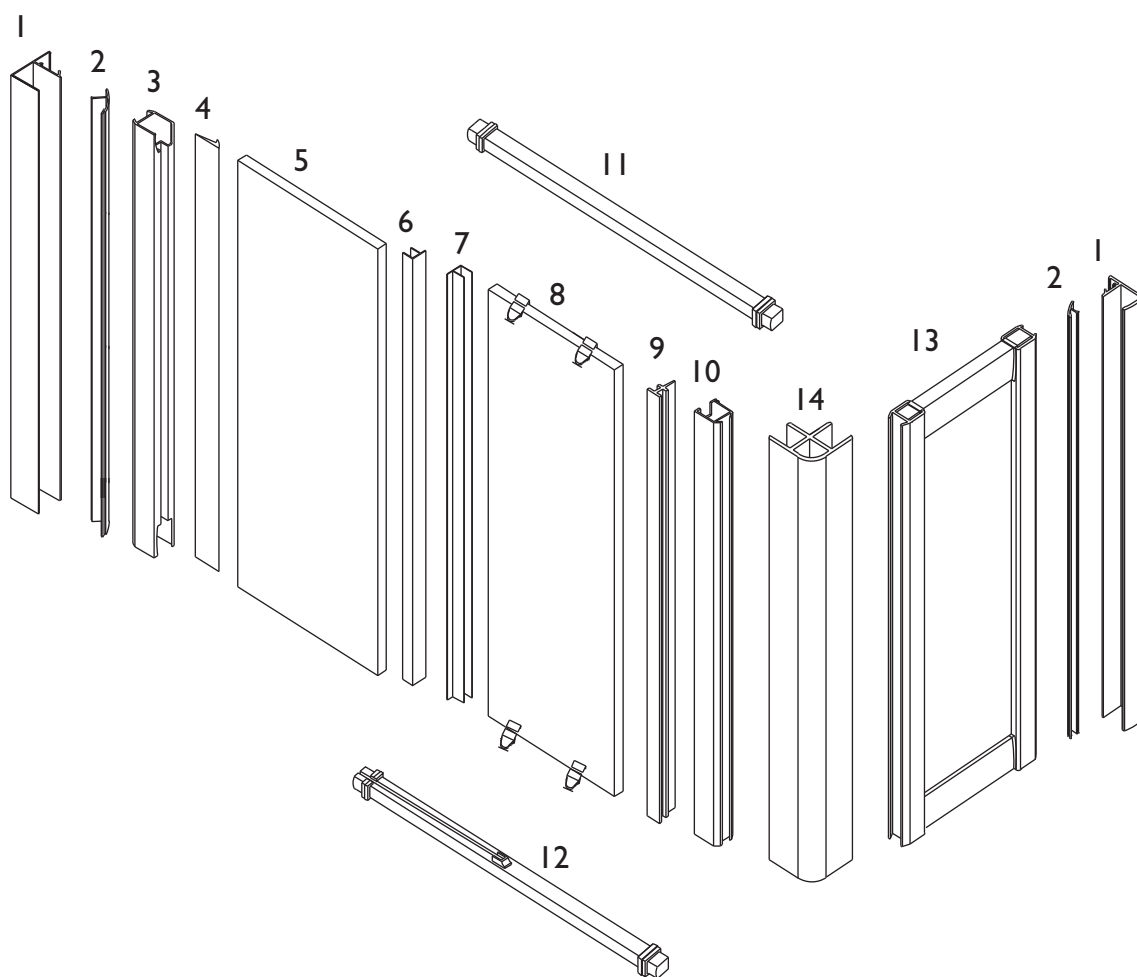


Installation Instructions

Style Single Sliding Doors
& Side Panel

(tc)
bathrooms

Installation Instructions Style Single Sliding Doors & Side Panel



Part list

1	Aluminium wall profile	x2
2	Aluminium screw cover	x2
3	Aluminium vertical frame profile (glass slot)	x1
4	Flat glass panel sealing strip	x1
5	Flat tempered safety glass panel	x1
6	Push fit flexible lip door seal	x1
7	Push fit flexible lip door seal	x1
8	Flat tempered safety glass door assembly	x1
9	Push fit flexible lip door seal	x2
10	Aluminium vertical frame profile	x1
11	Aluminium top rail	x1
12	Aluminium bottom rail	x1
13	Side panel optional	x1
14	Corner post optional	x1

Fittings list

15	Wall plugs	x6
16	Chromed plastic end cap	x2,3
17	30mm screws	x6
18	20mm screws	x6
19	Chromed plastic joint trims	x4
20	Chromed plastic glass trims	x4
21	Plastic U seal	x4
22	Handle assembly	x1
23	15mm screws	x8
24	3mm drill	x1
25	8mm masonry drill	x1
26	Spanner	x1

Essential tools required to complete the installation

(Not supplied) Hammer drill, Pozidrive screwdriver No2 and No1, Flatblade screwdriver med and small, Rubber mallet, Bathroom or sanitary grade silicone sealant, Spirit Level, a metric tape measure, a Pencil and scissors and a helpful assistant.

Prior to assembly

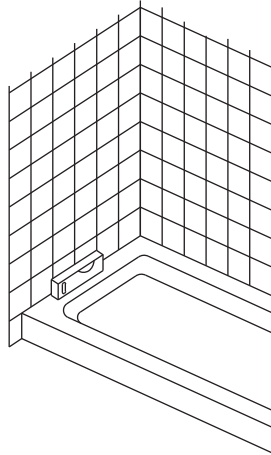
These instructions are for your safety and to help with the correct assembly and installation of the unit.

- Check this is the unit you ordered ensure it is the correct size and hand. The adjustment range is shown on the carton label if you are unsure please call our helpline.
- Check the parts against the parts list and the contents of the fittings box against the fittings list. Do not attempt installation if parts are missing this may be unsafe.
- Check the parts and fittings for damage. Do not attempt installation if parts are damaged this may be unsafe.
- It is recommended that the enclosure is fitted to walls which are not more than 15mm out of true vertically.
- When handling tempered safety glass care must be taken to ensure it is not knocked or damaged. It is safer to store the glass vertically (not horizontally) leant against a solid structure resting on a suitable surface such as cardboard or carpet.
- The enclosure must be fitted to walls that are sound and waterproof.

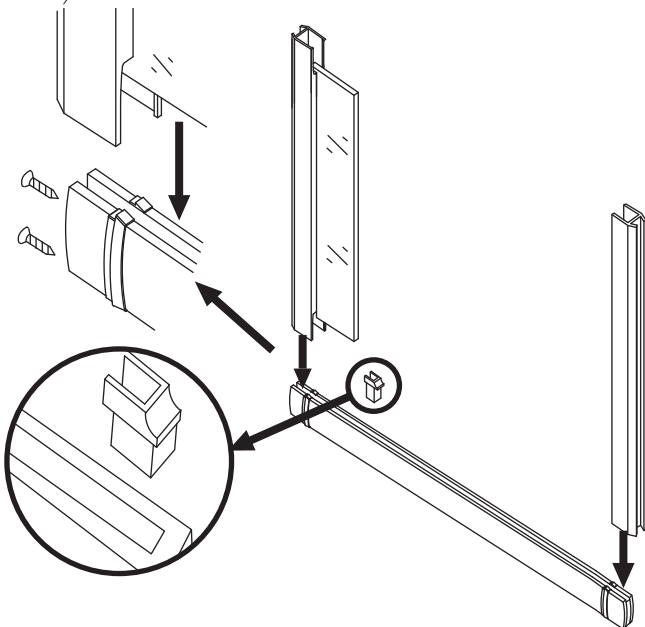
- Use a high quality bathroom or sanitary grade silicone sealant to achieve the best results.
- The fixings and masonry drills supplied are for solid walls such as brick or stone. If you are attempting to install this unit to any other type of wall use suitable fixings and if necessary seek professional advice.

Assembly

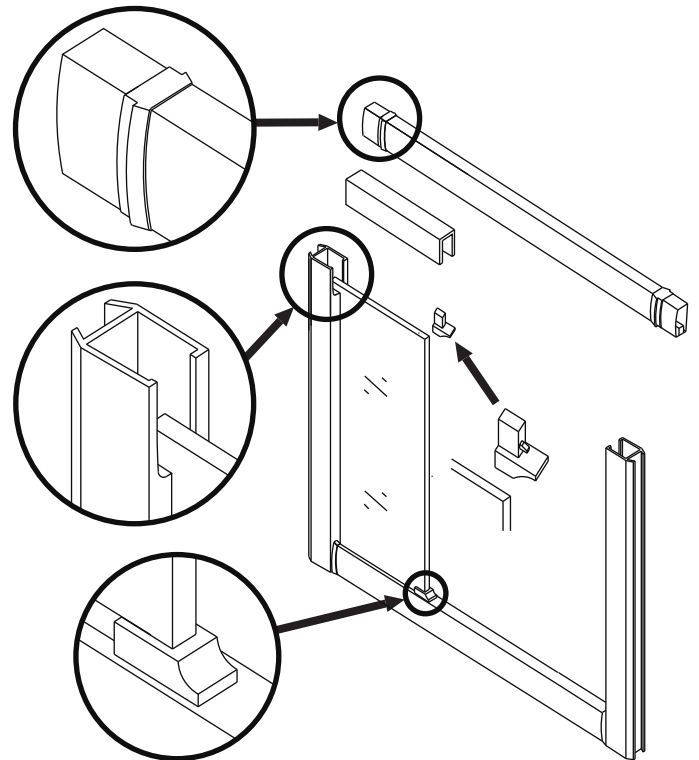
1. Install the shower tray in the desired position and connect the waste outlet pipes. It is a good idea to install the shower tray according to the manufacturers instructions to ensure it drains correctly and provides a level and stable base for the enclosure. The enclosures are designed to fit on to standard UK shower bases. However we only recommend these enclosures are installed on the dedicated shower tray as per our brochure. Due to the many and varied installation techniques commonly in use please ensure the enclosure will fit the tray prior to installation. The size and range of adjustment is shown on the label of the carton.



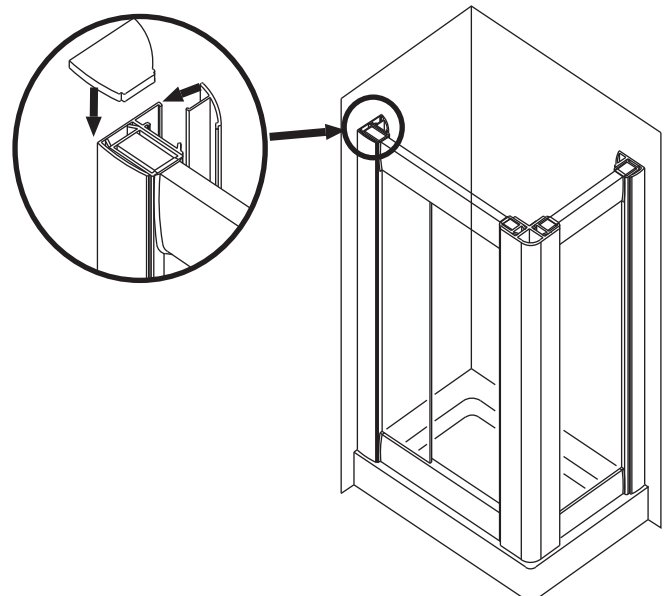
2. The first thing to do is to assemble the frame. You really will need that helpful friend to help you to assemble this shower door safely. Start with the bottom rail (12) on the floor (the arrow sticker should point upwards). Slide the chromed plastic joint trims (19) on to the bottom rail and fit the chromed plastic glass trims (20) (they may be factory fitted).



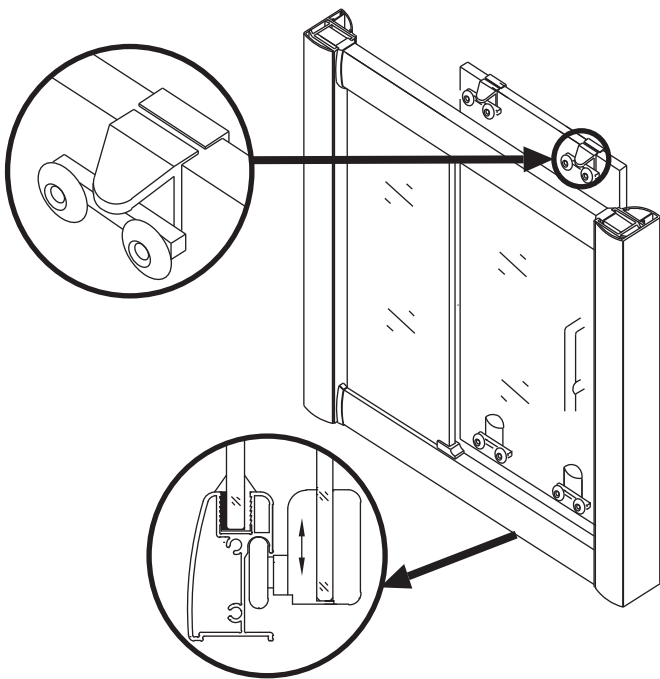
3. Slide a U seal (21) over the bottom edge of the static flat glass panel (5) and vertical profile assembly (this seal may need to be cut to size using household scissors). The glass with the U seal is pushed into the corresponding slot in the base rail ensuring the plastic glass trim locates neatly at the end of the slot. If it is a tight fit then use a soap solution to lubricate. Fix together with two 20mm screws (18). Do not completely tighten screws. Fix the loose vertical profile (10) on the other side while you assistant supports the first section.



4. Push a U seal (21) onto the top of the glass (this seal may need to be cut to size using household scissors), fit the chromed plastic joint trims (19) to the top rail. Then push on the top rail (11). If it is a tight fit then use a soap solution to lubricate. Secure the top rail with two 15mm (23) screws each side. Do not completely tighten screws.
5. Once the frame is fully located all screws can now be tightened.
6. When fitting in a corner situation you will need to fix the optional side panel (13) to the pivot door using the corner post (14), the 15mm screws (23) and 3mm drill (24) supplied. This assembly can then be installed in a similar way to the door in the following instructions. NOTE The extended wall profiles provided with the door assembly are to be used for recessed installations and the extended wall profiles provided with the side panel are to be used for corner situations.



- When fitting to a recessed tray push the wall profiles (1) onto the vertical sides of the frame. With the help of your assistant lift the frame onto the tray. Adjust the profiles to fit and mark the position of the wall profiles. Take the frame off the tray with your assistant and prepare the holes for the wall profiles using the 8mm masonry drill (25), 30mm screws (17) and wall plugs (15) supplied in the fittings kit.
- With the help of your assistant lift the frame onto the tray. Locating it to the fixing holes and adjusting the wall profiles fix using the 30mm screws. This can be tricky it is a two man job! Screw the enclosure to the wall profiles using the 15mm screws (23) and 3mm drill (24) supplied. Clip the aluminium screw cover (2) over the screws on the wall profiles and fit the chromed end caps (16) on top of the frame uprights to finish.

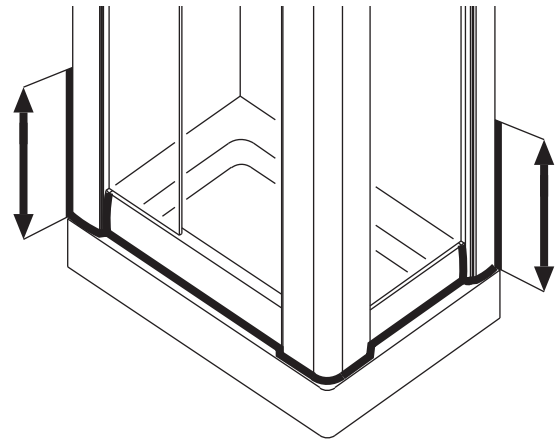
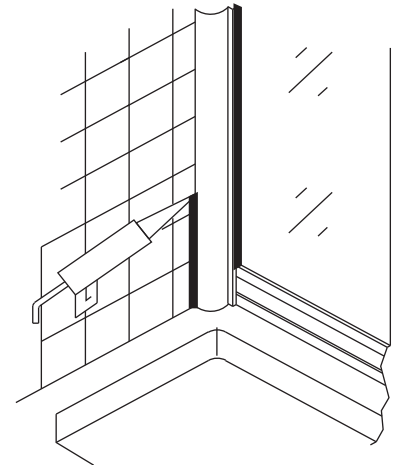


- Fit the door (8) by locating the runners in the top rail and pushing down on the bottom sliding clips, ensuring that they locate in the bottom rail and the doors slide freely.
- Fix the flexible lip seals to the doors. (These seals are oversized and will need to be trimmed to size. This can be done using a sharp knife.)
- Fix the handle assemblies (22) to the the doors ensuring you use the clear plastic washers. NOTE do not over tighten. The threaded bar used to connect the handles may need to be unscrewed to allow it to reach through the glass.
- Adjust door to hang vertically This is achieved using the spanner (26) provided in the fixings kit. Slide the chromed cover off the roller assembly and loosen the nuts securing the roller assemblies to the door glass allowing the doors to be aligned. Once aligned retighten the nuts without excessive force and replace the chrome cover.

Sealing

Clean the enclosure thoroughly prior to sealing. On the outside of the enclosure, seal along the join between the bottom of the enclosure and the tray and up the join between the wall and the wall profile also seal the join between the bottom rail and the vertical profile.

Silicone sealant skins over quite quickly but it is important that the sealant is allowed to cure completely for 24 hours prior to a final check for leaks. Apply additional silicone as required.



Care and use

This enclosure is made from polished aluminium, tempered safety glass and plastic components. Do not use aggressive cleaning compounds such as scouring powders, cream cleaners, bleaches or solvent based products. Simple soap and warm water is the best cleaning solution.