

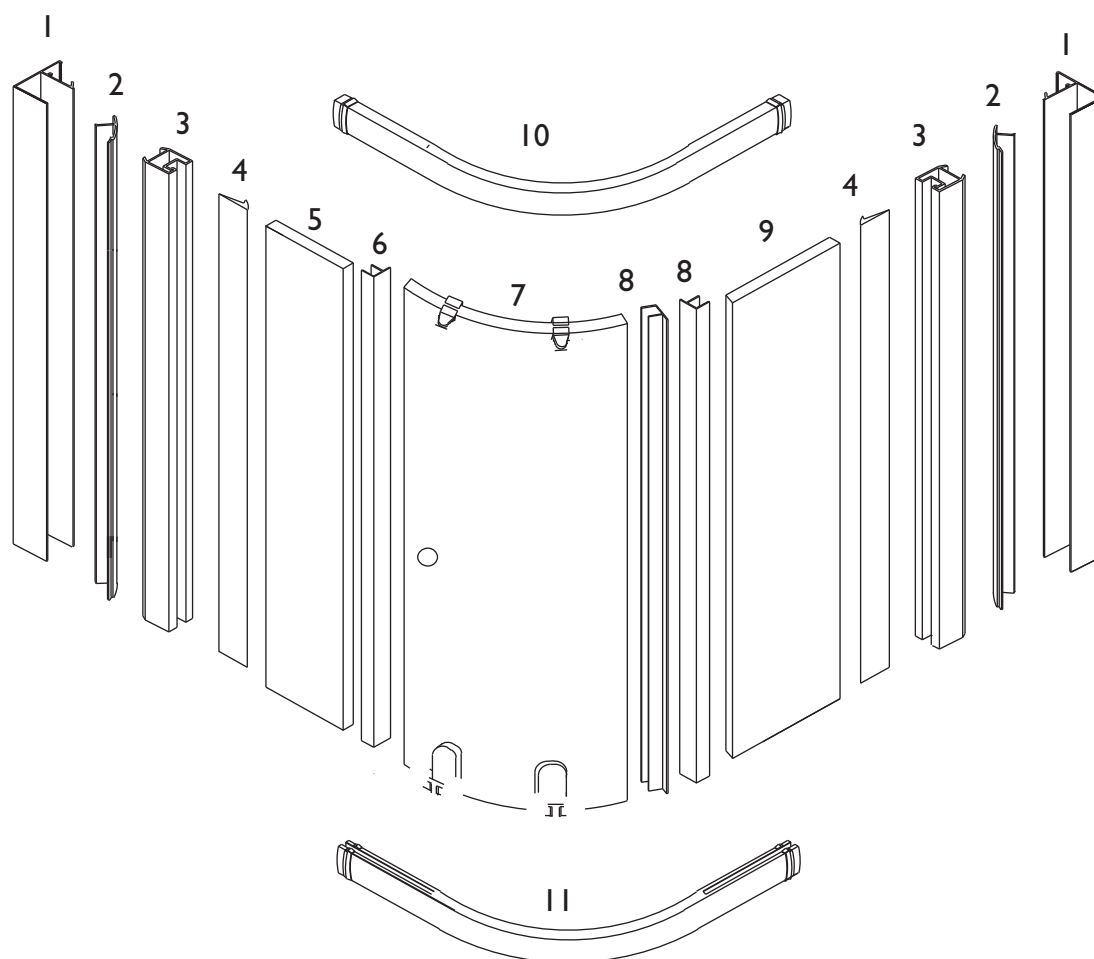


Installation Instructions

Style Single Sliding
Door Quadrant

(tc)
bathrooms

Installation Instructions Style Single Sliding Door Quadrant



Part list

1	Aluminium wall profile	x2
2	Aluminium screw cover	x2
3	Aluminium Vertical frame profile	x2
4	Flat glass panel sealing strip	x2
5	Left hand flat tempered safety glass panel	x1
6	Push fit door seal large	x1
7	Curved tempered glass door	x1
8	Push fit door seal small	x2
9	Right hand flat tempered safety glass panel	x1
10	Aluminium top curved rail	x1
11	Aluminium bottom curved rail	x1

Fittings list

12	Wall plugs	x6
13	Chromed plastic end cap	x2
14	30mm screws	x6
15	20mm screws	x8
16	Chromed plastic joint trims	x4
17	Chromed plastic glass trims	x4
18	Plastic U seal	x4
19	Handle assembly	x1
20	15mm self tapping screws	x6
21	3mm drill	x1
22	8mm masonry drill	x1
23	Spanner	x1

Essential tools required to complete the installation (Not supplied)

Hammer drill, Pozidrive screwdriver No2 and No1, Flatblade screwdriver med and small, Rubber mallet, Bathroom or sanitary grade silicone sealant, Spirit Level, a metric tape measure, a Pencil and scissors and a helpful assistant!

Prior to assembly

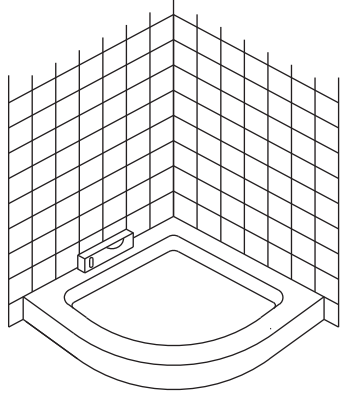
These instructions are for your safety and to help with the correct assembly and installation of the unit.

- Check this is the unit you ordered ensure it is the correct size and hand. The adjustment range is shown on the carton label if you are unsure please call our helpline.
- Check the parts against the parts list and the contents of the fittings box against the fittings list. Do not attempt installation if parts are missing this may be unsafe.
- Check the parts and fittings for damage. Do not attempt installation if parts are damaged this may be unsafe.
- It is recommended that the enclosure is fitted to walls which are not more than 15mm out of true vertically.
- When handling tempered safety glass care must be taken to ensure it is not knocked or damaged. It is safer to store the glass vertically (not horizontally) leant against a solid structure resting on a suitable surface such as cardboard or carpet.

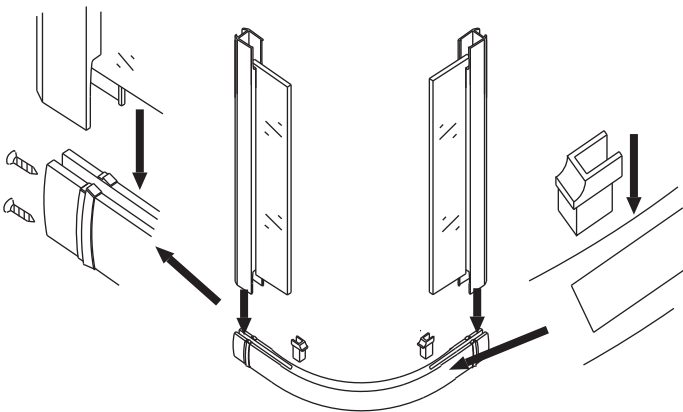
- The enclosure must be fitted to walls that are sound and waterproof. Use a high quality bathroom or sanitary grade silicone sealant to achieve the best results.
- The fixings and masonry drills supplied are for solid walls such as brick or stone. If you are attempting to install this unit to any other type of wall use suitable fixings and if necessary seek professional advice.

Assembly

Install the shower tray in the desired position and connect the waste outlet pipes. It is a good idea to install the shower tray according to the manufacturers instructions to ensure it drains correctly and provides a level and stable base for the enclosure. The enclosures are designed to fit on to standard UK shower bases. However we only recommend these enclosures are installed on the dedicated shower tray as per our brochure. Due to the many and varied installation techniques commonly in use please ensure the enclosure will fit the tray prior to installation. The size and range of adjustment is shown on the label of the carton.



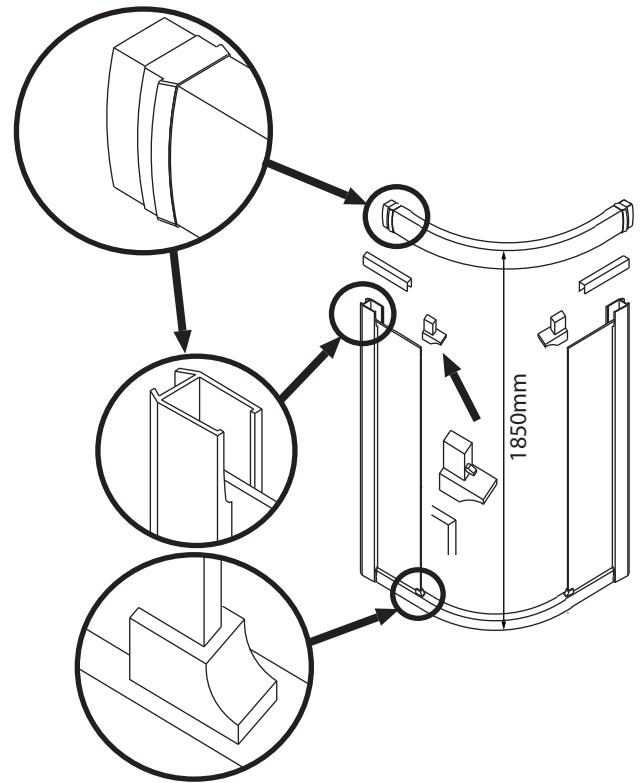
1. The first thing to do is to assemble the frame. You really will need that helpful assistant to help you to assemble this shower door safely. Start with the base curved rail (11) on the floor (the arrow sticker should point upwards). Slide the chromed plastic joint trims (16) on to the bottom rail as shown in diagram Fig 2 (they may be factory fitted).



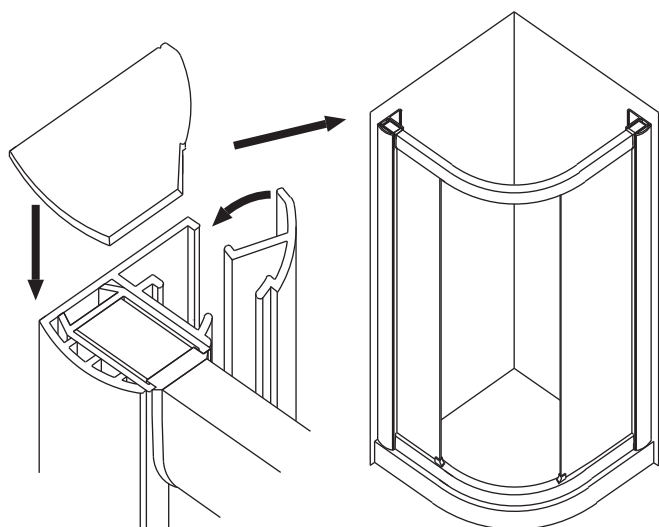
2. If the flat glass (9) has been factory fitted to the vertical aluminium profile (If not skip point 3 to point 4) then push a U seal (18) over the bottom edge the seal may need to be cut to length, using scissors. The flat glass (5,9) is pushed into the corresponding slot in the base curved rail ensuring the glass locates neatly into the end of the slot of the chromed plastic glass trim (17). If it is a tight fit then use a soap solution to lubricate. Secure with two 20mm screws (15) Do not completely tighten screws. Repeat on the other side while your assistant supports the first section. Go to point 5.
3. Push a U seal (18) over the bottom edge of the flat glass (5,9) the seal may need to be cut to length, using scissors. The glass with the U seal is pushed into the corresponding slot in the base curved rail (11)

ensuring the glass locates neatly at the end of the slot in the chromed plastic glass trim (17). If it is a tight fit then use a soap solution to lubricate. Fit a frame upright (3) with two 20mm screws (15) Do not completely tighten screws. Repeat on the other side while your assistant supports the first section.

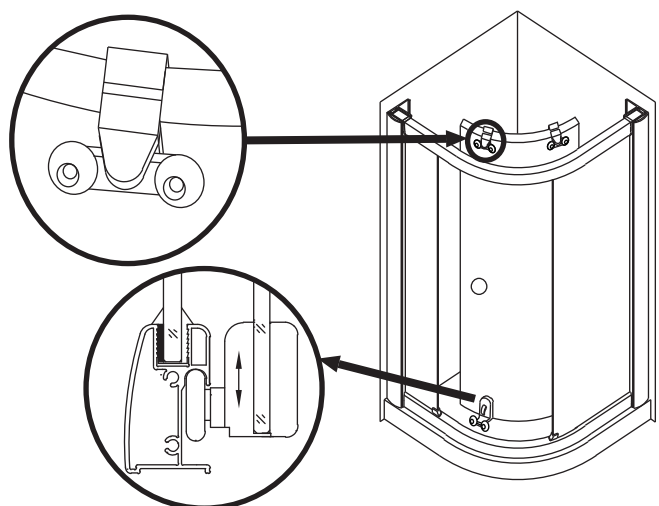
4. Push a U seal (18) onto the top of the glass on both sides. The seal may need to be cut to length, using scissors. Fit the chromed plastic joint trims to the curved top rail as shown in the diagram Fig 3(These may be factory fitted). Then push on the top curved rail (11). If it is a tight fit then use a soap solution to lubricate. The top and bottom rails have to be parallel for the doors to fit and so check they are parallel using a tape measure and if necessary use a rubber mallet to help locate the top rail into position. Secure the top curved rail (11) with two 20mm screws (15) each side. Fit the long flat plastic sealing strip (4) to hold the glass securely into the frame. This is done from the front of the frame and the strip is pushed into the gap between the glass and the frame. The sealing strip will need to be cut to length, using scissors. Use rubber mallet to make sure frame is 1850 high.



5. Push the wall profiles (1) onto the vertical sides of the frame. With the help of your assistant lift the frame onto the tray. Position the enclosure on the tray so it sits evenly all the way around the tray. Adjust the profiles to fit (ensuring they are vertical) and mark the position of the fixing holes on the inside of the wall profiles (1). Take the frame off the tray with your assistant and fix the wall profiles using the 8 x 30mm screws (14) and wall plugs(12).
6. With the help of your assistant lift the frame onto the tray. Locating it in the wall profiles (1). Fitting the enclosure into the wall profiles can be tricky it is a two man job! Screw the enclosure to the wall profiles using the 15mm screws (20) and the 3mm drill(22) supplied. Clip the aluminium screw cover (2) over the screws on the wall profiles and fit the chromed end caps (13) on top of the frame uprights (3) to finish as shown in diagram Fig4.



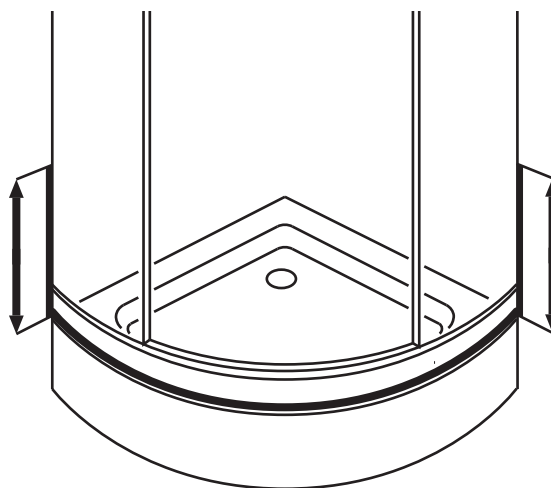
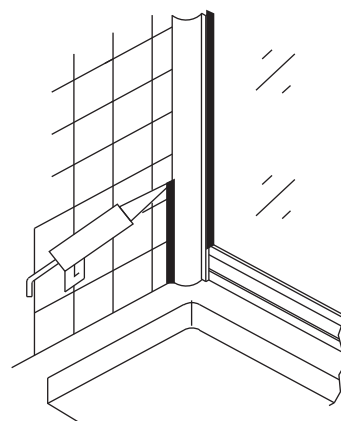
7. Fit the door (6) by locating the runners in the top rail and pushing down on the bottom sliding clips (or spring loaded rollers depending on model), ensuring that they locate in the bottom rail and the doors slide freely.



8. Fix the flexible seals and angled magnetic door seals (5) to the doors. (These seals are oversized and will need to be trimmed to size. This can be done using a sharp knife.)
9. Fix the handle assembly (19) to the the doors ensuring you use the clear plastic washers. NOTE do not over tighten. The threaded bar used to connect the handles may need to be unscrewed to allow it to reach through the glass.
10. Adjust doors to hang vertically ensuring the magnets meet together closely when the doors are closed. This is achieved using the spanner(23) provided in the fixings kit. Slide the chromed cover off the roller assembly and loosen the nuts securing the roller assemblies to the door glass allowing the doors to be aligned. Once aligned retighten the nuts without excessive force and replace the chromed plastic cover.

Sealing

Clean the enclosure thoroughly prior to sealing. On the outside of the enclosure, seal along the joint between the bottom of the enclosure and the tray and up the joint between the wall and the wall profile also seal the joint between the bottom rail and the vertical profile. Silicone sealant skins over quite quickly but it is important that the sealant is allowed to cure completely for 24 hours prior to a final check for leaks. Apply additional silicone as required.



Care and use

This enclosure is made from polished aluminium, tempered safety glass and plastic components. Do not use aggressive cleaning compounds such as scouring powders, cream cleaners, bleaches or solvent based products. Simple soap and warm water is the best cleaning solution.