



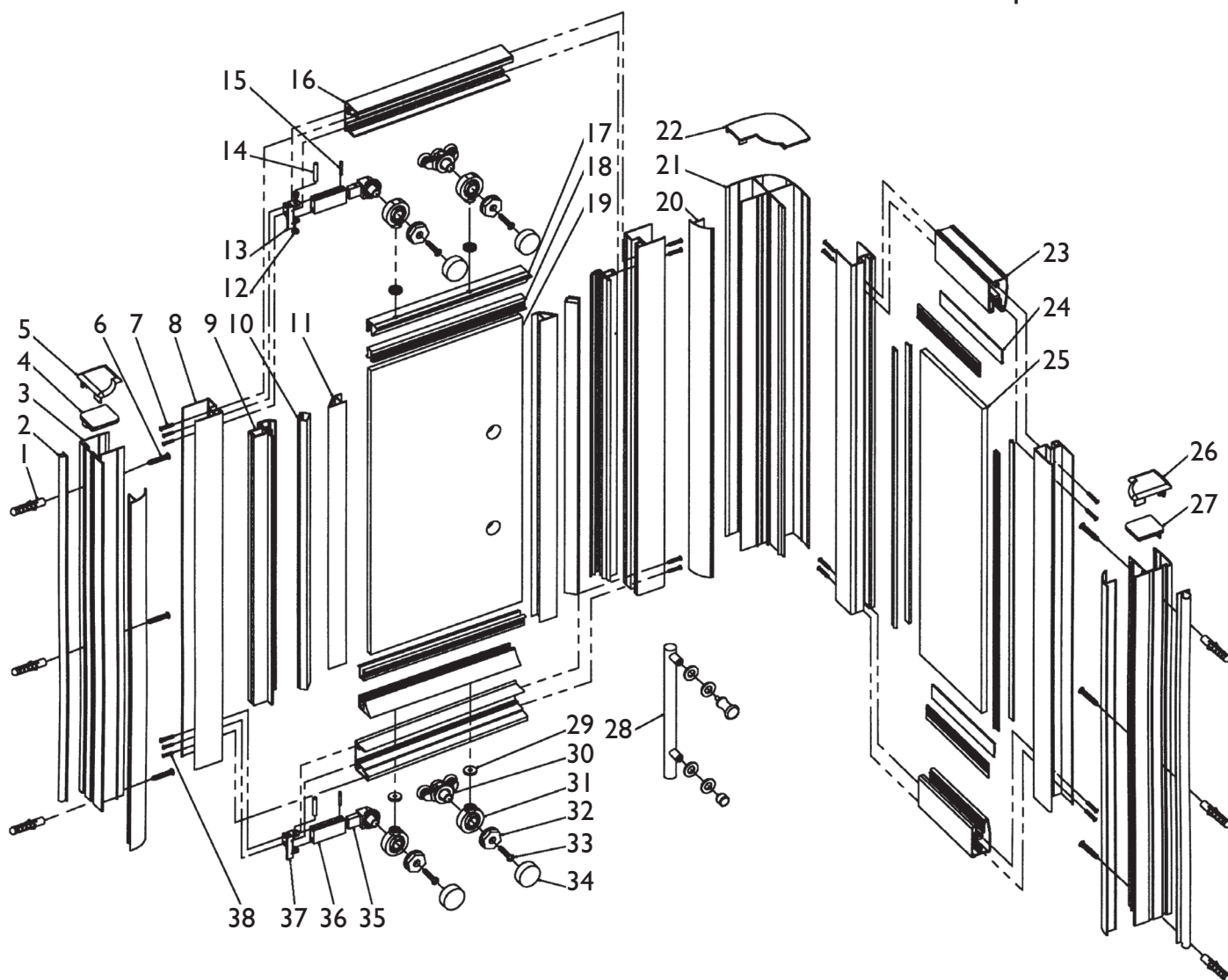
Installation Instructions

Style In-Swing Door
& Optional Side Panel

(tc)
bathrooms

Installation Instructions Style In-Swing Door & Optional Side Panel

We recommend that installation is carried out by a fully qualified competent team of installers



Part list

1	Wall plugs	x6
2	Rubber Strip	x2
3	Aluminium wall profile extended	x2
4-5	Chromed plastic end cap assembly	x2
6	30mm screws	x6
7-19	Pre-assembled In-swing door in frame	
28-38	Pre-assembled In-swing door in frame	
20	Aluminium screw cover	x3
21	Corner Post	x2
22	Chromed plastic end cap	x1
23-25	Pre-assembled Side panel	x1
26-27	Chromed plastic end cap assembly	x1

Fittings list

39	15mm self tapping screws for frame to profile	x6
40	3mm drill	x1
41	8mm masonry drill	x1
42	Spanner	x1

Essential tools required to complete the installation

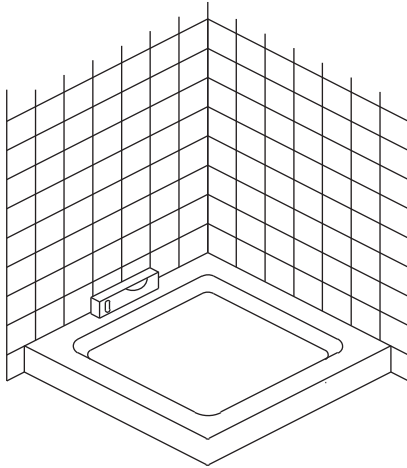
(Not supplied) Hammer drill, Pozi-drive screwdriver No2 and No1, Flat blade screwdriver med and small, Rubber mallet, Bathroom or sanitary grade silicone sealant, Spirit Level, a metric tape measure, a Pencil and scissors.

Prior to assembly

- These instructions are for your safety and to help with the correct assembly and installation of the unit.
- Check this is the unit you ordered ensure it is the correct size and hand. The adjustment range is shown on the carton label if you are unsure please call our helpline.
- Check the parts against the parts list and the contents of the fittings box against the fittings list.
- Do not attempt installation if parts are missing.
- Check the parts and fittings for damage. Do not attempt installation if parts are damaged.
- It is recommended that the enclosure is fitted to walls which are not more than 15mm out of true vertically.
- When handling tempered safety glass care must be taken to ensure it is not knocked or damaged. It is safer to store the glass vertically (not horizontally) leant against a solid structure resting on a suitable surface such as cardboard or carpet.
- The enclosure must be fitted to walls that are sound and waterproof.
- Use a high quality bathroom or sanitary grade silicone sealant to achieve the best results.
- The fixings and masonry drills supplied are for solid walls such as brick or stone. If you are attempting to install this unit to any other type of wall use suitable fixings and if necessary seek professional advice.

Assembly

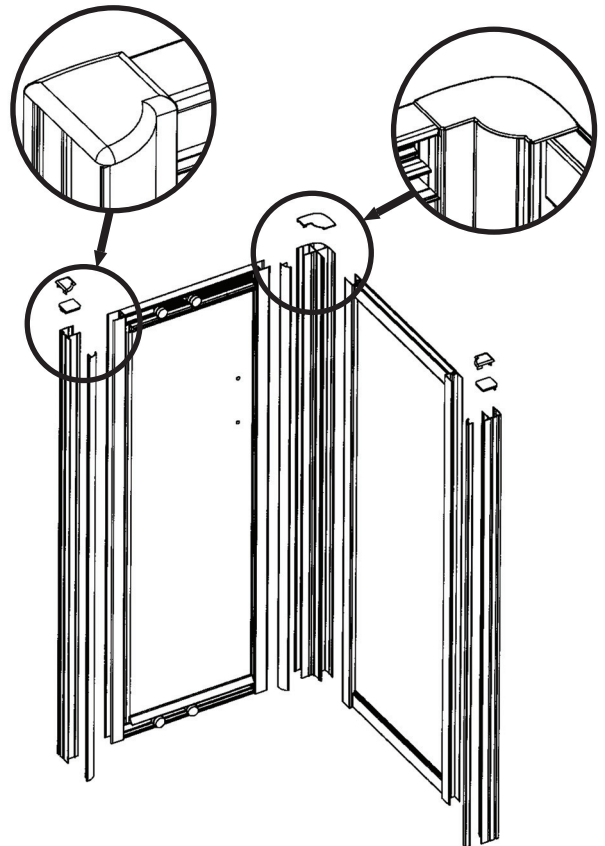
Install the shower tray in the desired position and connect the waste outlet pipes. It is a good idea to install the shower tray according to the manufacturers instructions to ensure it drains correctly and provides a level and stable base for the enclosure. The enclosures are designed to fit on to standard UK shower bases. However we only recommend these enclosures are installed on the dedicated shower tray as per our brochure. Due to the many and varied installation techniques commonly in use please ensure the enclosure will fit the tray prior to installation. The size and range of adjustment is shown on the label of the carton.



1. The door frame and door are ready assembled. The door and frame can be fitted on to a recessed shower tray or on to a corner situation with the addition of an optional side panel which is also supplied pre assembled. Please note the door is supplied with extended wall profiles to allow recess installation. When a door is used with a side panel in order for the assembly to fit on to a tray please use the extended wall profiles supplied with the side panel.
2. When fitting onto a recessed tray push the extended wall profiles(3) onto the vertical sides of the pre assembled frame. With the help of your assistant lift the frame onto the tray. Adjust the profiles to fit the

gap and mark the position of the wall profiles and the pre-drilled fixing holes. Take the frame off the tray with your assistant. Drill and plug the fixing holes for the wall profiles using the 8mm masonry drill(40) and wall plugs(1) provided.

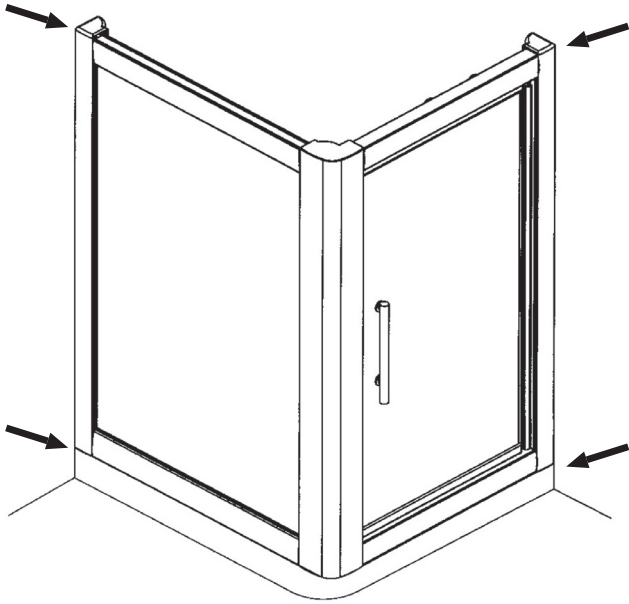
3. When fitting in a corner situation you will need to fix the side panel to the in-swing door using the corner post and the 15mm screws(39) and 3mm drill(40) supplied. This assembly can then be installed in a similar way to the door only in the following instructions. NOTE The extended wall profiles provided with the door assembly are to be used for recessed installations and the extended wall profiles provided with the optional side panel are to be used for corner situations.
4. With the help of your assistant lift the frame onto the tray. Fix the required wall profiles to the wall using the six 30mm screws(6) provided. Screw the frame to the wall profiles using the 15mm screws(39) and 3mm drill(40) provided. Clip the aluminium screw cover(2) over the screws on the wall profiles and fit the chromed end caps(4+5, 22, 26 + 27) on top of the frame uprights to finish.
5. If necessary fix the angled magnetic door seals to the doors though they are normally factory fitted to the door.
6. Fix the handle assemblies (28) to the the doors ensuring you use the clear plastic washers. NOTE do not over tighten. The threaded bar used to connect the handles may need to be unscrewed to allow it to reach through the glass.
7. If necessary adjust the doors by removing the cover caps on the doors and using the eccentric fittings on the door mechanism. Ensure the magnets meet together closely when the door is closed.



Sealing

Clean the enclosure thoroughly prior to sealing. On the outside of the enclosure, seal along the join between the bottom of the enclosure and the tray and up the join between the wall and the wall profile also seal the join between the bottom rail and the vertical profile.

Silicone sealant skins over quite quickly but it is important that the sealant is allowed to cure completely for 24 hours prior to a final check for leaks. Apply additional silicone as required.



Care and use

This enclosure is made from polished aluminium, tempered safety glass and plastic components. Do not use aggressive cleaning compounds such as scouring powders, cream cleaners, bleaches or solvent based products. Simple soap and warm water is the best cleaning solution.