

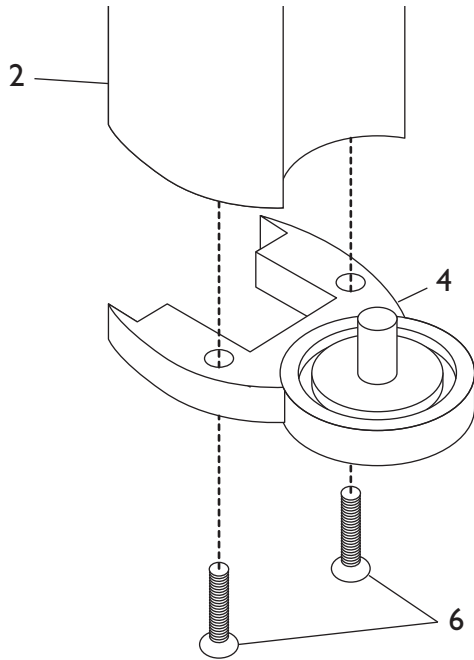


Fitting Instructions Melrose Bath Screen

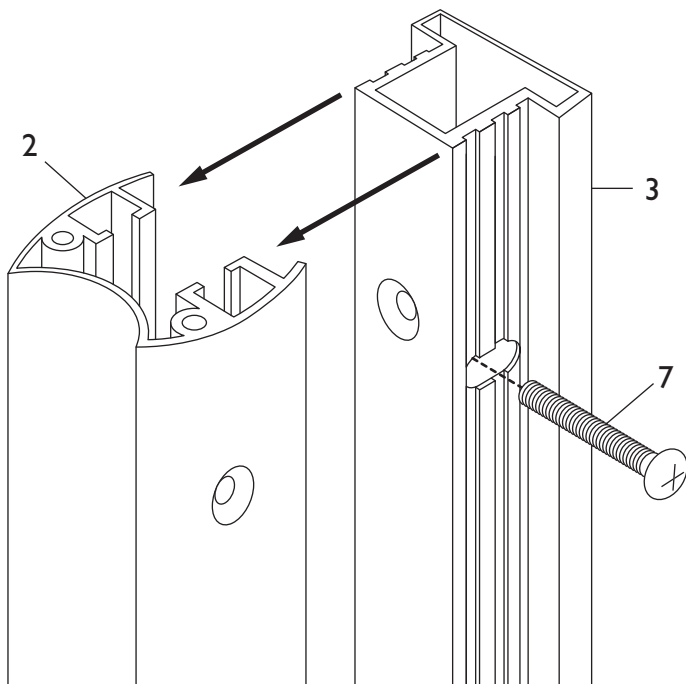
(td)
bathrooms

Assembly Instructions Melrose Bath Screen

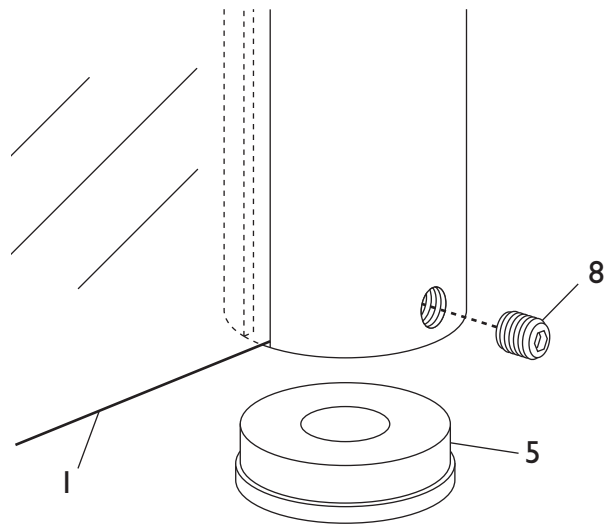
- Check that the bath has been installed correctly and the screen line is level.
- Fix wall pillar (ensuring that the unslotted fixing hole is to the bottom). Align edge of channel with edge of bath making sure it is vertically level before securing. Seal with Silicone on the inside edge.
- With the fixing holes to the inside of the bath assemble base cap (4) to main section (2) using screws (6).



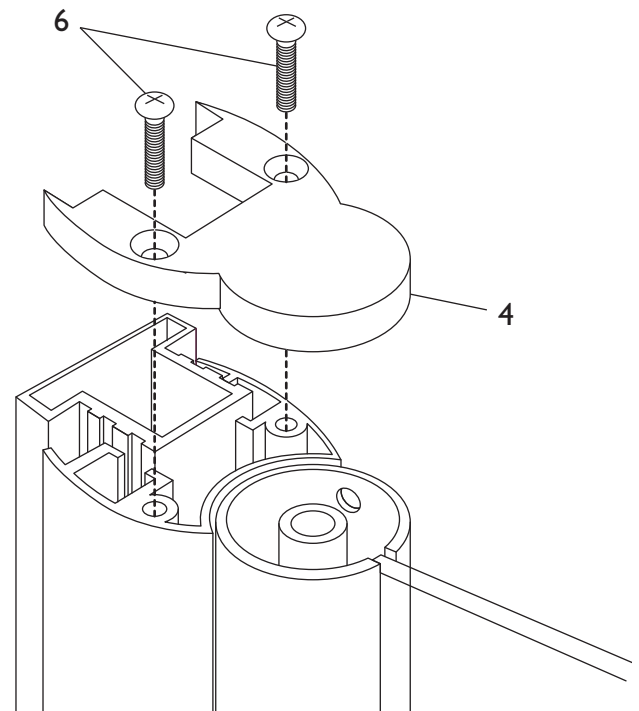
- Assemble to wall pillar (3) and fix using screws (7).



- Fit riser insert (5) into bottom of door pivot rail (1) and retain with grub screw (8). Do not tighten at this stage.



- Locate door assembly onto base cap (4). Retain by fitting top cap (4) to assembly using screws (6).



- Check door for level on rim of bath and adjust on fixings (7) if necessary.
- Fit bottom seal to door ensuring it is set against base end cap.
- Position door to profile of bath and tighten grub screw (8) to lock riser insert (5) in position. Open and close door to ensure that it returns to the correct position.
- Fit handle and cap through 13.5mm hole in glass.