

Installation Instructions

Linda Bath



(tc)
bathrooms

Installation Instructions

Caution

- Take care when handling and avoid knocks or damage.
- Do not place burning cigarettes in or on the bath.
- Do not allow paint strippers, spirits, dry cleaning agents, cleansers or bleaches to come into contact with the surface.
- If a blowlamp is used whilst plumbing-ensure the flame/heat is kept well away from the bath's surface.
- Use a silicone sealant to ensure a watertight joint between bath rim and wall.
- When making joints to the waste fitting use only the washers provided and an approved sealing compound. DO NOT use boss white, linseed oil putty or similar oil based compounds. Avoid excessive force when tightening plastic nuts.

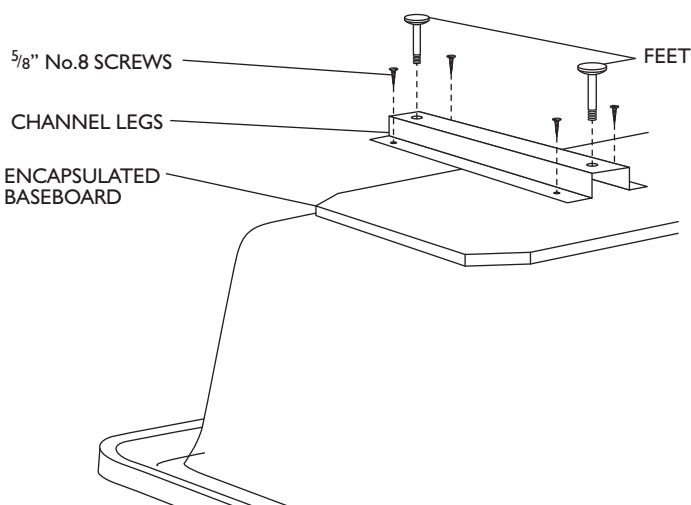
Your leg set will contain the following items:

Channel Legs	x2
M8 Adjustable Feet	x4
M8 Nuts to suit Feet	x8
No 8 x 5/8" Round Head Screws	x8

Assembly Instructions

Every care has been taken to ensure your bath arrives in perfect condition. Before installation, please remove protective packaging from the bath and inspect. tc bathrooms will not accept responsibility for the installation of faulty or damaged baths. We recommend the bath be recovered for protection during installation.

- Place bath channels across the base of the bath approx 130-150mm from the ends of the encapsulated base board.
- Fix in place with 5/8" screws provided.
- Apply one nut on each of the adjustable feet and secure to each leg with the remaining nuts.



Installation Instructions

- Position and level the bath, ensuring the correct height from the trimmed edge depending on the panel being used.
- Mark the feet position and screw holes on the floor.
- Scribe a line on the wall to the underside of the rim.
- Remove bath and fit a softwood batten to the wall, the top edge of which should be level with this line. This acts as additional support to the bath rim.
- Apply a liberal amount of silicone sealant to the outer rim of the bath which will be adjacent to the wall. Reposition the bath ensuring that it is pushed firmly back to the wall and that the feet are back in their original position.
- Fill bath with water then leave the bath until the silicone has completely cured. Complete the installation ensuring all fixings are secure.

Care Instructions

Your bath has been manufactured to the highest standards. To maintain the high luster a non abrasive cleaner must be used. If during installation or when in use any damage does occur, light scratches may be removed with a metal polish. If major difficulties are experienced please contact the showroom from where the bath was purchased.

