



Assembly Instructions

Ianthe Bath & Side Panels

(tc)

traditional contemporary
bathrooms

Assembly Instructions lanthe bath & Side Panels

Caution

- Take care when handling and avoid knocks or damage.
- Ensure bath is adequately protected if you need to stand in it.
- Do not place burning cigarettes in or on the bath.
- Do not allow paint strippers, spirits, dry cleaning agents, cleansers or bleaches to come into contact with the surface.
- If a blowlamp is used when plumbing, the flame must be kept well away from the fixture.
- Use a silicone sealant to ensure a watertight joint between bath rim and wall.
- When making joints to the waste fitting use only the washers provided and an approved sealing compound. **DO NOT** use boss white, linseed oil putty or similar oil based compounds. Avoid excessive force when tightening plastic nuts.

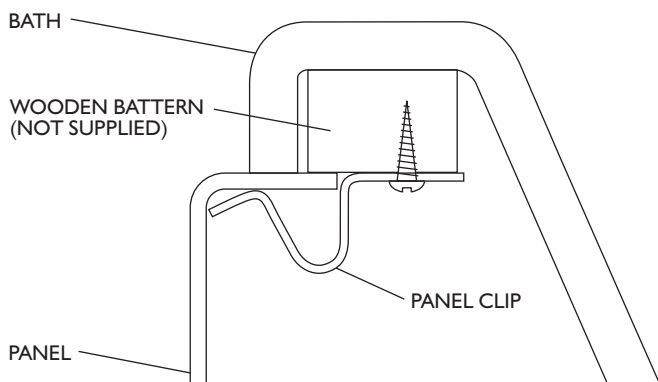
Your lanthe leg set will contain the following items:

Channel legs 600mm	x2
5/8" No.8 Screws	x10
Bath feet M10	x4
Nuts to suit feet M10.	x8
Panel Gips.	x5
No.6 x 15mm screws.	x12

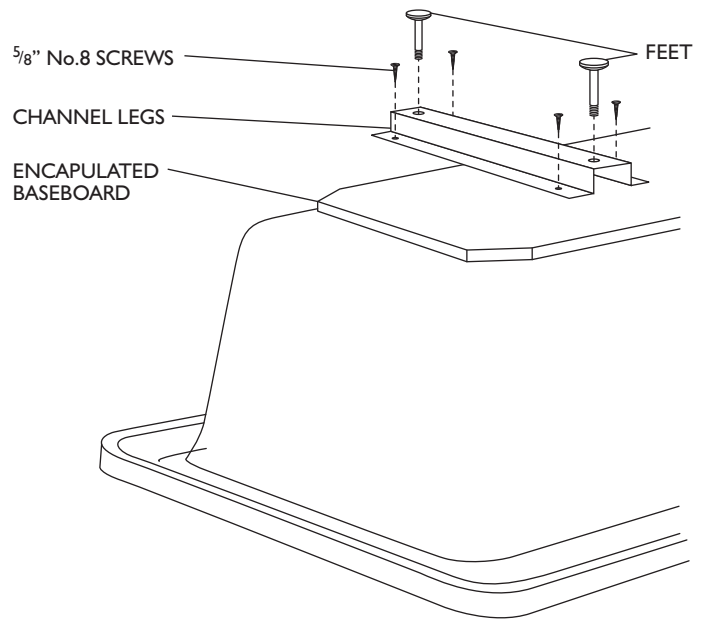
Assembly Instructions

Every care has been taken to ensure your bath arrives in perfect condition. Before installation, please remove protective packaging from the bath and inspect. tc bathrooms will not accept responsibility for the installation of faulty or damaged baths. We recommend the bath be recovered for protection during installation.

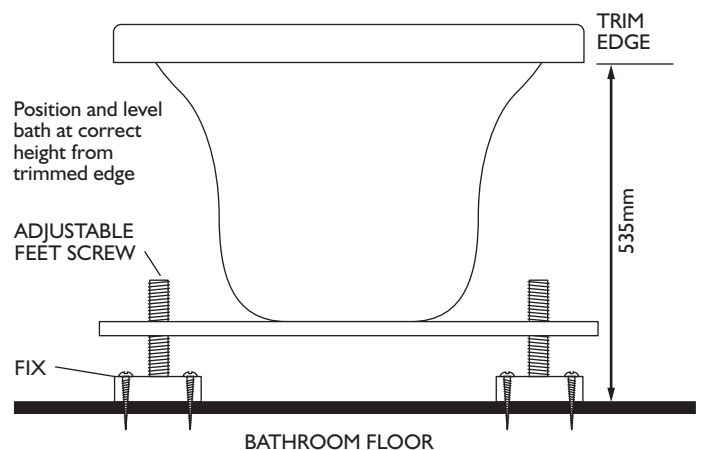
- First fit the 5 panel clips to the 5 exposed timber blocks around the rim of the bath. Place the clip on the block so that the upturned end is flush with the front of the bath and protrudes 4mm from bath rim. Mark & drill two pilot holes for each clip and secure in place with the 15mm screws.



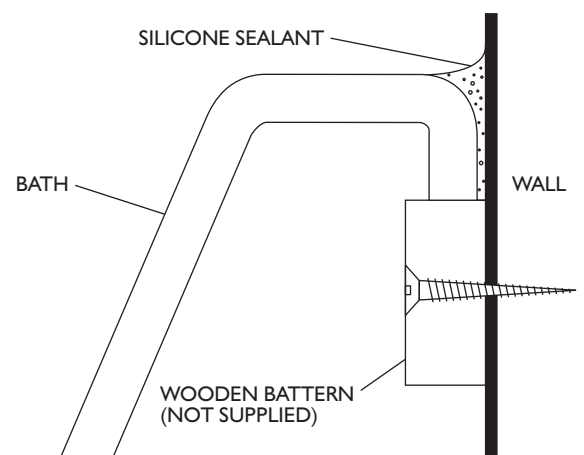
- Place bath channels across the base of the bath approx. 130 - 150mm from the ends of the encapsulated base board (see Fig. 1).
- Fix in place using 5/8" screws provided.
- Apply one nut on each of the adjustable feet and secure two to each leg with the remaining nuts.



- At this stage fit the panel to the upturned bath to ensure that the channel or front foot (when fitted) does not foul the panel.
- Ensure the floor is flat and level.
- Position and level the bath, setting the height according to Fig.2.



- Mark the feet and screw hole position on the floor.
- Scribe a line on the wall to the underside of the rim.
- Remove the bath, and fit a softwood batten to this line to act as additional support to the rim.



- Apply a liberal amount of silicone sealant to the outer rim of the bath which will be adjacent to the wall. Reposition the bath ensuring that it is pushed firmly back to the wall and that the feet are back in their original position.
- Leave the bath until the silicone has completely cured, then complete the installation ensuring all fixings are secure.

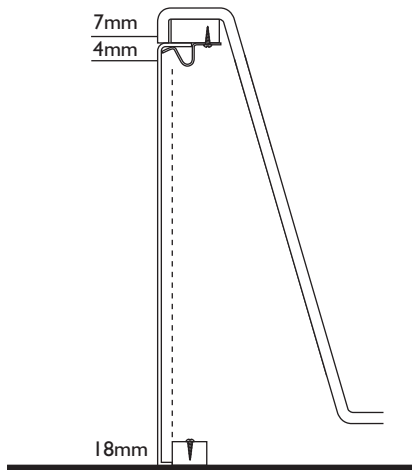
Fitting of Panels

Do not finally fit the panel until the installation has been completed and the walls have been tiled. It may be necessary to trim the panel to length. If this is required use a fine tooth saw.

NB: When installing your bath (particularly plinth situations), consideration should be given to gaining access to the taps, waste and feet to enable removal of the bath for any reason in the future, as the manufacturer cannot be held responsible for any consequential loss.

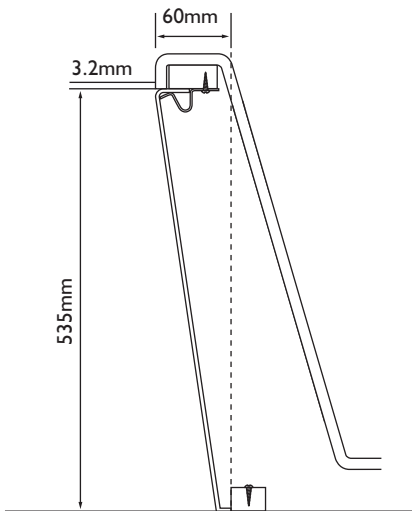
■ End Panel

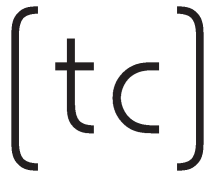
Fit spring clips protruding 4mm from edge of bath. Using a spirit level set wood stop-blocks 18mm from edge of bath. Shape edge of panel to suit wall if required and set in position as shown in figure 5 ensuring joint line is 60mm from front rim of bath.



■ Front Panel

Fit spring clips set back 3.2mm from edge of bath. Using a spirit level set wood stop-blocks 60mm from edge of bath. Position panel ensuring the top is aligned with the edge of the bath as shown, and the vertical edge is a correct fit to end panel.





traditional contemporary
bathrooms

www.tc-bathrooms.com

Traditional Contemporary Bathrooms, 800 Bretton Park Way, Bretton Park Ind Est,
Dewsbury WF12 9BS. Tel: 01924 868 383 Fax: 01924 868 384

Helpline 01924 868383