

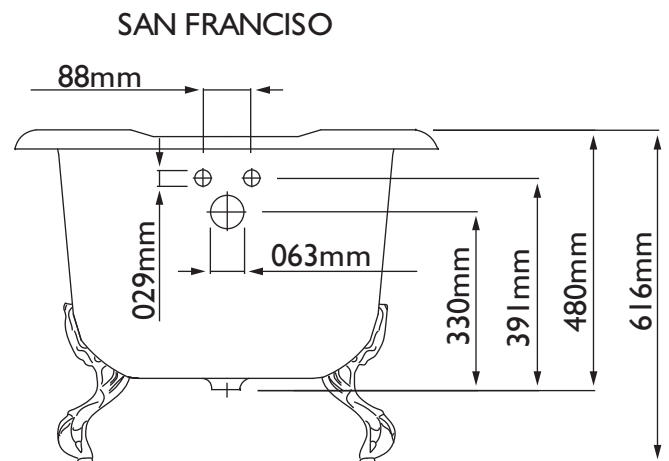
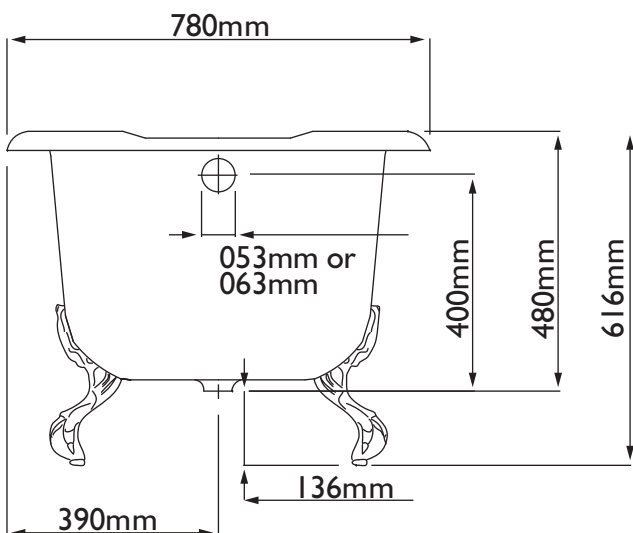
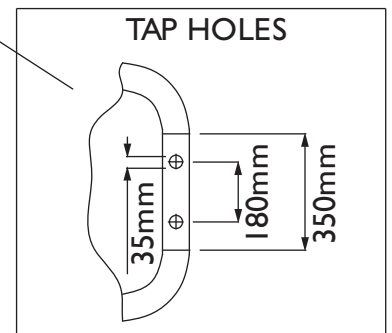
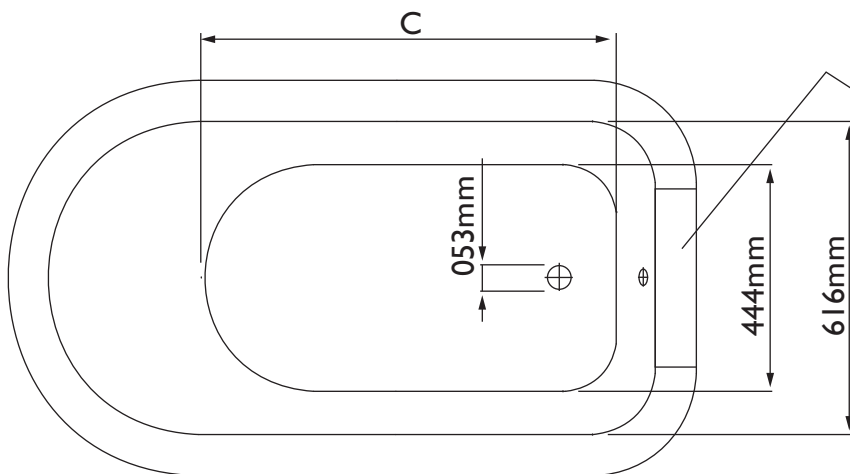
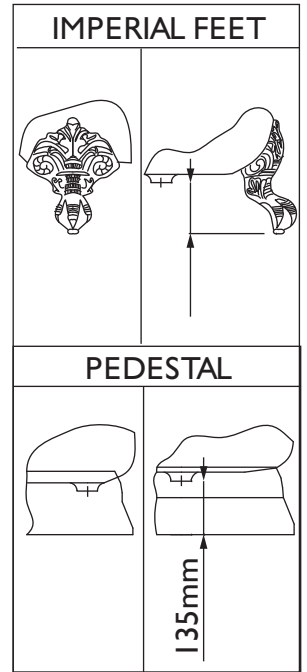
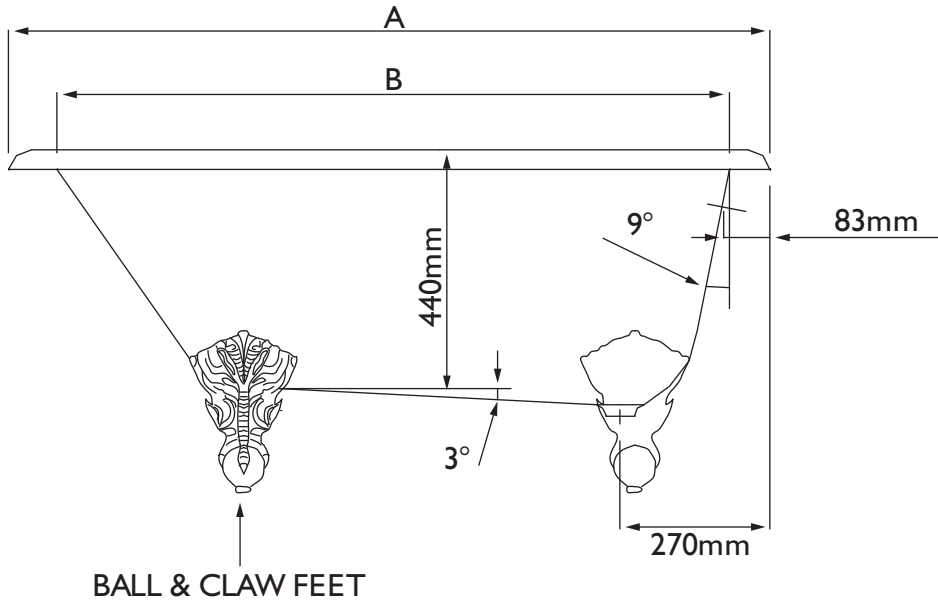
Installation Instructions

Gladstone & Ellerman Bath



(tc)
bathrooms

	Gladstone Bath	Ellerman Bath
A	1540mm	1700mm
B	1379mm	1539mm
C	990mm	1150mm



Your Cast Iron Bath

The manufacturing process used in the enamel of a cast iron bath involves a thick coat of powder enamel being fused to the surface of a red hot bath. Evidence of this is reflected in individual characteristics inherent in every bath, such as dimples, a degree of surface ripple and small black specks.

These are quite normal and will not affect the life of your bath.

Recommendations

- Clean regularly with a non-abrasive cleaner.
- If in doubt, contact your showroom or customer services prior to installation.
- This bath should be dried after each use.
- Avoid dripping taps.

Installation Instructions

Before you begin

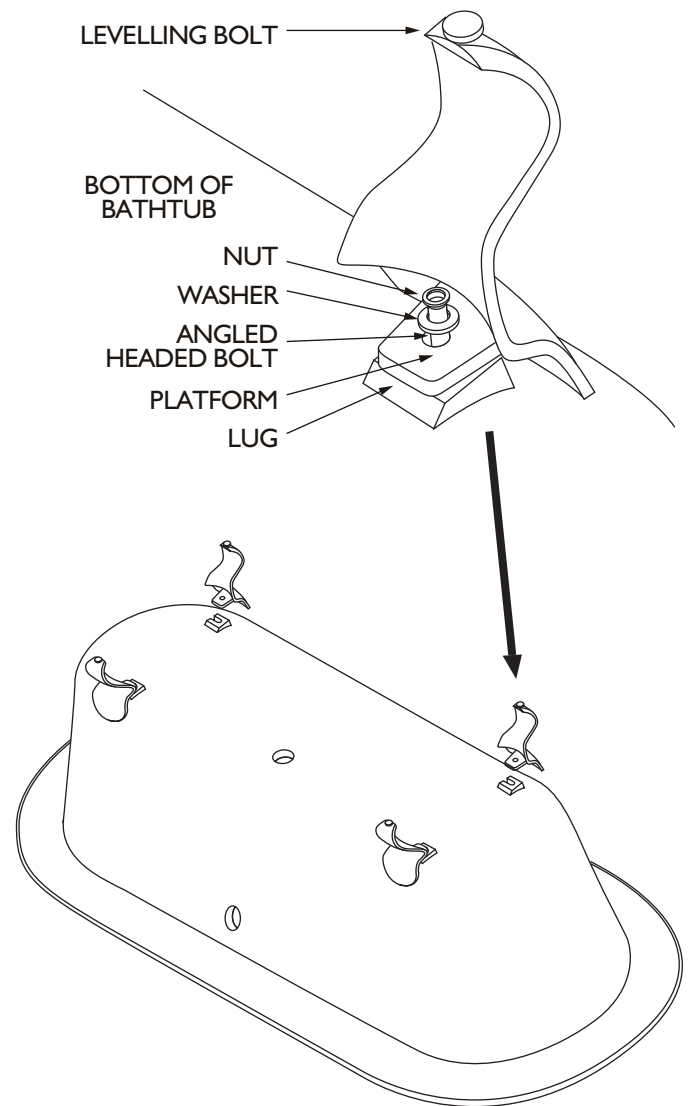
- Caution: Risk of personal injury or product damage, Cast Iron Baths are heavy, be prudent and get help when it comes to lift up the bathtub.
- To ensure that this product is installed correctly, please read the following instructions very carefully, before the installation of the feet.
- We strongly advise that the installation shall be done by a qualified plumber.
- Also be sure that your installation conforms to local codes.

Recommended Tools and Materials:

- Adjustable wrench and Cardboard sheet

Feet Installation

- Turn the bathtub upside down in a cardboard sheet to avoid any damage on the enamelled surface, this operation needs to be done in a very careful manner.
- Ball & Claw feet - Each of the feet provided is marked inside with the letters A or B. Imperial feet - Each of the feet provided is marked inside with the letters A, B, AA and BB.
- Slot the angled bolt into the lugs, and afterwards connect the feet to the lugs by means of the nut and washer. Note that in first place the nut must be hand tighten.
- Now you can adjust the feet to its exact location on the bathtub, for that you can use the openings on both feet and bath. When you've reached the exact concordance between feet and bath, you must tighten the nut very firmly, for that you can use an adjustable wrench.
- Carefully place the bath in its normal position.
- All of the feet have levelling bolts on their lower extremity; you can use them to get a more exact assembly.





www.tc-bathrooms.com

Traditional Contemporary Bathrooms, 800 Bretton Park Way, Bretton Park Ind Est,
Dewsbury WF12 9BS. Tel: 01924 868 383 Fax: 01924 868 384

Helpline 01924 868383