

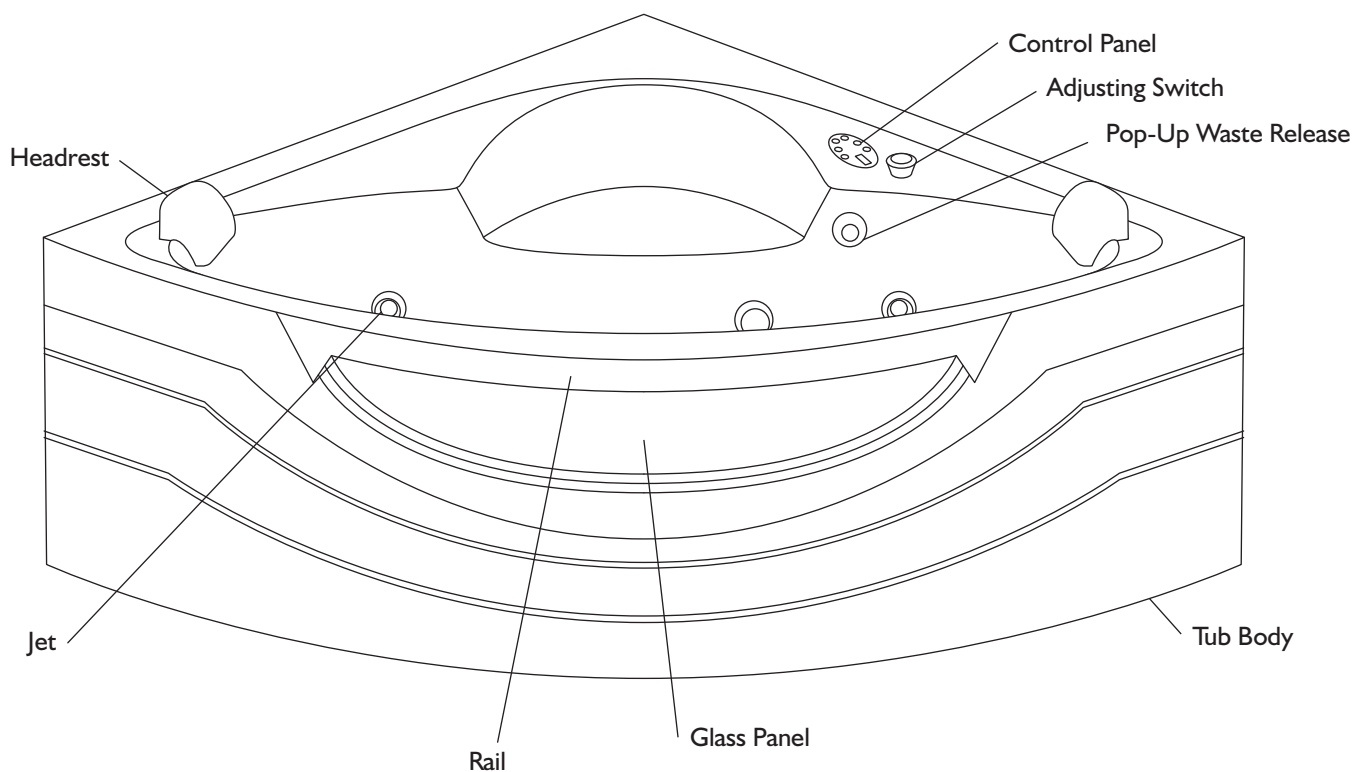
Installation Instructions

Brasilia Luxury Whirlpool Bath



(tc)
bathrooms

Installation Instructions Brasilia Luxury Whirlpool Bath



Electrical Parameter

Rated Voltage / Frequency	220V/50Hz
Rated Power	750W/1100W

Electric Installation

- The power supply facilities of the house should be in accordance with the UK standards, the voltage and frequency of the power supply should match the products demands. Make sure to install residual current circuit breaker, check and prove that the ground protection device is effective;
- The power line of the Steam Cabinet should be permanent wiring, the power line should be triple-core wire, the sectional area of each core shouldn't be less than 2.5 square millimeters (namely 3X2.5 mm);
- Connect the ground connection of the massage bathtub with that of the house, and prove that is effective;

Pre-Installation

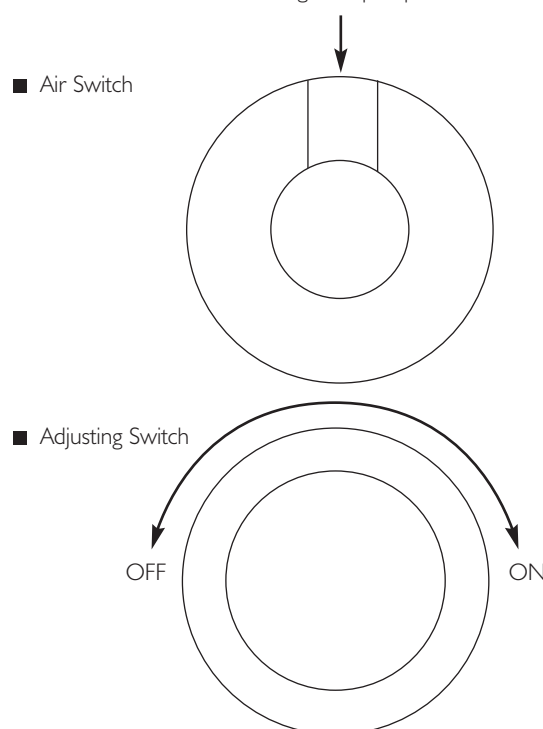
- Please cover the massage bathtub with soft materials to prevent scratches of the surface during the installation.
- Do not stand on the bathtub to install or put heavy things on the edge of the bathtub, which may cause damage.

Installation Instruction

- Put the massage bathtub in the installation location, adjust and balance it, and make the massage bathtub drain water smoothly.
- Adjust the foot screws and make them touch down completely.
- Connect and install waste connections as appropriate.
- Fit taps as per manufacturers. Isolating valves should be used for servicing purposes.

Whirlpool Instructions

- Fill the bath with water to the desired temperature to at least 30mm above the height of the top jet.
- Press the air switch to start the whirlpool function.
- Use the adjusting dial to alter the intensity of the whirlpool function.
- Turn off the water inside the tub, do some cleaning to extend the longevity of the massage bathtub.
- Always turn off the whirlpool function before emptying the bathtub. Failure to do so could damage the pump.



Fault Finding

Fault Phenomena	The Reason of Default	Way of Clearance
The motor doesn't work	The voltage is abnormal	Check whether the power parameter is in accordance with the plate on the motor.
	The power plug fell off or the power line is broken	
	The connecting air pipe of the air switch is loosened or broken	Insert again or replace the power line.
	The air switch does not work	Connect well again or replace
	The used power is not in accordance with the plate parameter on the motor.	Replace
	The fixed screws of the motor are loose	Contact with the distributor
	The foot screws of the support of the bathtub do not touch down.	Fasten it firmly again
The water pipe is leak	The sealing ring is aging	Replace it.
	The interface is not well sealed	Replace it
	The water pipe is broken	Seal as required

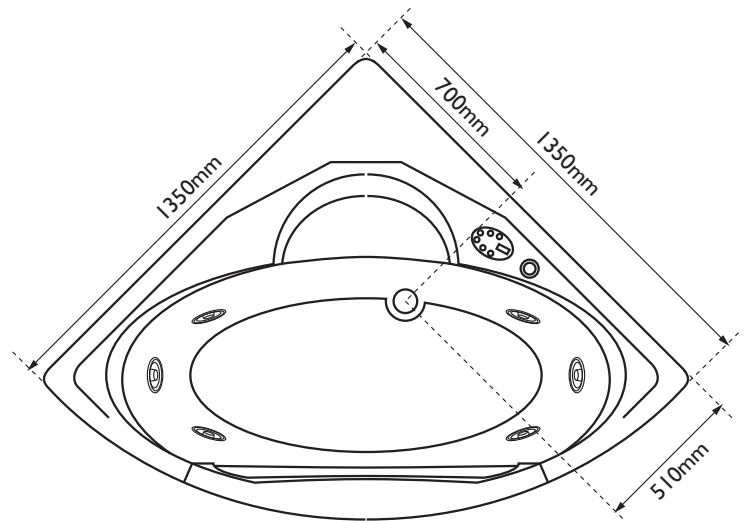
Special Notice

- The installation of the massage bathtub should be carried out by the qualified staff according to the instruction booklet;
- Don't start the motor without water in it, close the motor before draining the water.
- Children enjoying the massage tub should be supervised by adults at any time.
- The water temperature inside the bathtub must not be higher than human's body average temperature, the ideal water temperature is 32-37 while enjoying the massage tub;
- Turn off the power after each use;
- The massage function could not be enjoyed belonging to one of the following circumstances:
 - Infants under 4 years old
 - Persons with poor blood circulation
 - Flu patients
 - Heart disease patients
 - Within an half hour after meals

Maintenance

- The bath-tub should be cleaned after use with a weak soap and water solution and a soft cloth. Use of abrasive compounds/scouring pads and bleaches will damage the surface of the product.

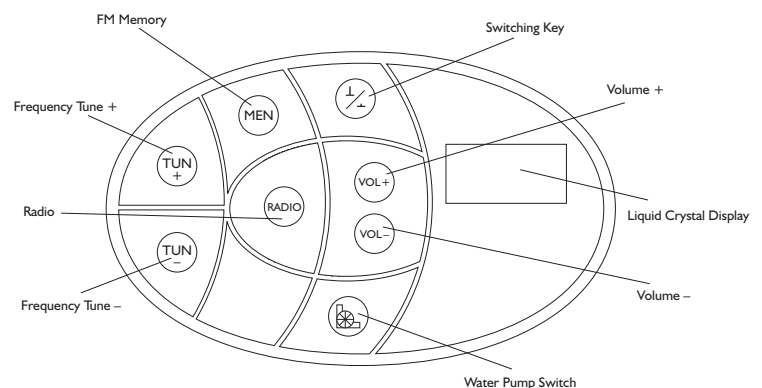
Dimensions



Control Panel

The 9 keys on the control panel operate the various functions as follows:

1. Radio key: use this to start the system-the LED light will glow. If no functions are operated the control panel will automatically switch off after 60 minutes.
2. Water pump switch: press once to turn on the pump. Press once again to switch off.
3. Radio key: use this to turn on the radio function.Press once again to switch off.
4. FM Memory Key: a short press will select the next saved station.
 - (a) To save a station to memory, select a frequency, then hold the button down for more than one second.That station will then be saved to the next empty position.
 - (b) Eight stations can be saved to memory.
5. Volume +: use to increase the volume.
6. Volume -: use to increase the volume.
7. Frequency tune +: hold for more than one second to automatically tune to the next station.
8. Frequency tune -: hold for more than one second to return to the last used station.



Installation Information

- tc bathrooms products should be installed by a competent qualified bathroom installer/plumber. Failure to do so may result in the invalidation of any warranty or guarantee.
- tc bathrooms products should always be fully inspected and examined at the earliest possible opportunity after purchase. Defects/damage to any tc bathrooms product that is visible should be reported prior to installation, failure to do so will invalidate any warranty/guarantee. Fitting will be seen as acceptance of quality.
- tc bathrooms advise that prior to installation and at the earliest opportunity after purchase all products should be checked for any missing parts that should be provided with each product.
- tc bathrooms recommend that any installer that may be in doubt regarding the installation instructions provided with tc bathrooms products, should contact our sales department for any additional information that may be available.
- tc bathrooms recommend that all connections and fittings are tested during and after installation to ensure a water tight connection on all fittings including signs of possible porous sanitaryware, eliminate any unforeseen damage and additional plumbing/fitting charges that may be incurred.
- tc bathrooms recommend a number of plumbing fittings that are compatible with their products. For information regarding these products please contact our helpline on 01924 868383.
- tc bathrooms and good plumbing practice, recommend that all water outlets such as taps, showers, cisterns, etc, are fitted with individual isolating valves. It is also recommended that the supply to these fittings, are flushed and clear of debris prior to final connection and installation. Failure to do this may damage the respective internal valves and caused damage and leakage.
- tc bathrooms products are manufactured to the highest standards that current manufacturing processes will allow. Having said this due to variances in materials used it may sometimes be evident that colour variances are apparent. This is not a manufacturing defect but due to the different light characteristics within the variety products, such as acrylics, ceramics and natural materials used during manufacturing. This may sometimes mean that some products will appear slightly different colours in certain lighting conditions to others.